

QR1-S standard series



AVENTICS™ QR1-S standard series



QR1-S-RPN standard series

- Straight fitting
- External thread
- M5 G 1/8 G 1/4 G 3/8 G 1/2
- push-in fitting
- Ø 4 Ø 6 Ø 8 Ø 10 Ø 12 Ø 14 Ø 16
- QR1-S-RPN



Working pressure min./max.	-0.95 ... 10 bar
Ambient temperature min./max.	0 ... 60 °C
Weight per piece	See table below

Technical data

Part No.	Port G	Port D	Delivery unit	Weight per piece
2121004050	M5	Ø 4	10 piece	0.007 kg
2121006050	M5	Ø 6	10 piece	0.01 kg
2121004180	G 1/8	Ø 4	10 piece	0.014 kg
2121006180	G 1/8	Ø 6	10 piece	0.016 kg
2121008180	G 1/8	Ø 8	10 piece	0.022 kg
R412005002	G 1/8	Ø 10	10 piece	0.024 kg
R412005003	G 1/8	Ø 12	10 piece	0.036 kg
2121004140	G 1/4	Ø 4	10 piece	0.02 kg
2121006140	G 1/4	Ø 6	10 piece	0.021 kg
2121008140	G 1/4	Ø 8	10 piece	0.024 kg
2121010140	G 1/4	Ø 10	10 piece	0.026 kg
2121012140	G 1/4	Ø 12	10 piece	0.039 kg
R412005000	G 3/8	Ø 6	10 piece	0.032 kg
2121008380	G 3/8	Ø 8	10 piece	0.035 kg
2121010380	G 3/8	Ø 10	10 piece	0.042 kg
2121012380	G 3/8	Ø 12	10 piece	0.045 kg
2121014380	G 3/8	Ø 14	10 piece	0.046 kg
R412005005	G 3/8	Ø 16	10 piece	0.058 kg
R412005001	G 1/2	Ø 8	10 piece	0.052 kg
2121010120	G 1/2	Ø 10	10 piece	0.058 kg
2121012120	G 1/2	Ø 12	10 piece	0.057 kg
2121014120	G 1/2	Ø 14	10 piece	0.064 kg
R412005006	G 1/2	Ø 16	10 piece	0.067 kg

Technical information

The series QR1 (plastic) and QR2 (metal) can not be combined
Thread seal with captive O-ring

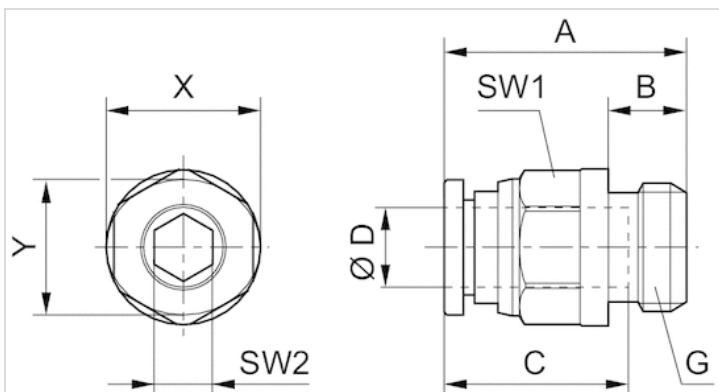
For further information about assembling and tolerances of adaptable tubing can be found in the "Technical information" document (available in the MediaCentre).

Technical information

Material	
Material	nickel-plated
Housing	Brass, nickel-plated
Seal	Acrylonitrile butadiene rubber
Tooth lock washer	Stainless steel
Release ring	Polyoxymethylene
Release ring holder	Die cast zinc Brass, nickel-plated
Thread	Brass, nickel-plated

Dimensions

Dimensions



Dimensions

Part No.	Port D	Port G	A	B	C	SW1	SW2	X	Y
2121004050	Ø 4	M5	21.5	4	16	10	–	12	10
2121006050	Ø 6	M5	24.5	4	17	12	–	14	10
2121004180	Ø 4	G 1/8	20.1	5	16	10	3	12	10
2121006180	Ø 6	G 1/8	24.6	5	17	12	4	14	12
2121008180	Ø 8	G 1/8	26.5	5	18.5	14	5	16	14
R412005002	Ø 10	G 1/8	28.9	5	21	17	4	19	17
R412005003	Ø 12	G 1/8	33.5	5	22.5	21	4	23	21
2121004140	Ø 4	G 1/4	19.1	6	16	10	3	12	10
2121006140	Ø 6	G 1/4	21.6	6	17	12	4	14	12
2121008140	Ø 8	G 1/4	22.4	6	18.5	14	6	16	14

Part No.	Port D	Port G	A	B	C	SW1	SW2	X	Y
2121010140	Ø 10	G 1/4	29.9	6	21	17	7	19	17
2121012140	Ø 12	G 1/4	33.4	6	22.5	21	7	23	21
R412005000	Ø 6	G 3/8	21.6	7	17	12	4	14	12
2121008380	Ø 8	G 3/8	23.2	7	18.5	14	6	16	14
2121010380	Ø 10	G 3/8	25.9	7	21	17	8	19	17
2121012380	Ø 12	G 3/8	33.5	7	23	21	9	23	21
2121014380	Ø 14	G 3/8	30.1	7	24.6	22	9	25	23
R412005005	Ø16	G 3/8	35.3	7	25.5	24	8	27	24
R412005001	Ø 8	G 1/2	25.7	8.5	18.5	14	6	16	14
2121010120	Ø 10	G 1/2	27.4	8.5	21	17	8	19	17
2121012120	Ø 12	G 1/2	29.5	8.5	23	21	10	23	21
2121014120	Ø 14	G 1/2	25.6	8.5	24.6	24	11	25	23
R412005006	Ø16	G 1/2	36.3	8.5	25.5	24	10	27	24

QR1-S-RAI standard series

- Straight female stud fitting
- Internal thread
- G 1/8 G 1/4 G 3/8 G 1/2
- push-in fitting
- Ø 4 Ø 6 Ø 8 Ø 10 Ø 12
- QR1-S-RAI



Working pressure min./max.	-0.95 ... 10 bar
Ambient temperature min./max.	0 ... 60 °C
Weight per piece	See table below

Technical data

Part No.	Port G	Port D	Delivery unit	Weight per piece
2121904180	G 1/8	Ø 4	10 piece	0.015 kg
2121906180	G 1/8	Ø 6	10 piece	0.016 kg
2121908180	G 1/8	Ø 8	10 piece	0.018 kg
R412005085	G 1/4	Ø 4	10 piece	0.021 kg
2121906140	G 1/4	Ø 6	10 piece	0.022 kg
2121908140	G 1/4	Ø 8	10 piece	0.024 kg
R412005089	G 1/4	Ø 10	10 piece	0.028 kg
R412005091	G 1/4	Ø 12	10 piece	0.052 kg
R412005086	G 3/8	Ø 6	10 piece	0.023 kg
R412005087	G 3/8	Ø 8	10 piece	0.035 kg
2121910380	G 3/8	Ø 10	10 piece	0.038 kg
2121912380	G 3/8	Ø 12	10 piece	0.05 kg
R412005090	G 1/2	Ø 10	10 piece	0.048 kg
2121912120	G 1/2	Ø 12	10 piece	0.053 kg

Technical information

The series QR1 (plastic) and QR2 (metal) can not be combined

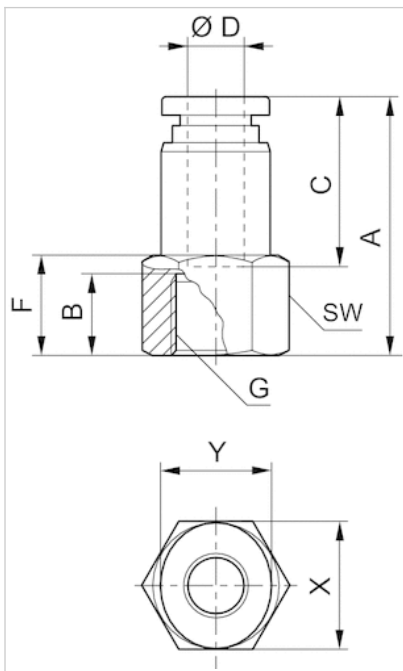
For further information about assembling and tolerances of adaptable tubing can be found in the "Technical information" document (available in the MediaCentre).

Technical information

Material	
Material	nickel-plated
Housing	Brass, nickel-plated
Seal	Acrylonitrile butadiene rubber
Tooth lock washer	Stainless steel
Release ring	Polyoxymethylene
Release ring holder	Die cast zinc Brass, nickel-plated
Thread	Brass, nickel-plated

Dimensions

Dimensions



Dimensions

Part No.	Port D	Port G	A	B	C	F	SW	X	Y
2121904180	$\varnothing 4$	G 1/8	26.2	9	16	11	14	12	10
2121906180	$\varnothing 6$	G 1/8	27.2	9	17	12	14	14	12
2121908180	$\varnothing 8$	G 1/8	28.5	9	18.5	12	14	16	14
R412005085	$\varnothing 4$	G 1/4	29.2	12	16	14	17	12	10
2121906140	$\varnothing 6$	G 1/4	30.2	12	17	14	17	14	12
2121908140	$\varnothing 8$	G 1/4	31.3	12	18.5	15	17	16	14
R412005089	$\varnothing 10$	G 1/4	34	12	21	13	17	19	17
R412005091	$\varnothing 12$	G 1/4	35.5	12	22.5	13	21	23	21
R412005086	$\varnothing 6$	G 3/8	31.2	13	17	15	21	14	12
R412005087	$\varnothing 8$	G 3/8	32.5	13	18.5	16	21	16	14
2121910380	$\varnothing 10$	G 3/8	35	13	21	15	21	19	17

Part No.	Port D	Port G	A	B	C	F	SW	X	Y
2121912380	Ø 12	G 3/8	36.5	13	22.5	14	21	23	21
R412005090	Ø 10	G 1/2	38	16	21	19	24	19	17
2121912120	Ø 12	G 1/2	39.5	16	22.5	19	24	23	21

QR1-S-RAS standard series

- Push-in connector
- External thread
- M5 G 1/8 G 1/4 G 3/8 G 1/2
- pin bushing
- Ø 4 Ø 6 Ø 8 Ø 10 Ø 12 Ø 14 Ø 16
- QR1-S-RAS



Working pressure min./max.	-0.95 ... 10 bar
Ambient temperature min./max.	0 ... 60 °C
Weight per piece	See table below

Technical data

Part No.	Port G	Port D	Delivery unit	Weight per piece
2121604050	M5	Ø 4	10 piece	0.006 kg
R412005068	M5	Ø 6	10 piece	0.006 kg
2121604180	G 1/8	Ø 4	10 piece	0.006 kg
2121606180	G 1/8	Ø 6	10 piece	0.012 kg
R412005071	G 1/8	Ø 8	10 piece	0.012 kg
2121606140	G 1/4	Ø 6	10 piece	0.015 kg
2121608140	G 1/4	Ø 8	10 piece	0.013 kg
R412005072	G 1/4	Ø 10	10 piece	0.024 kg
R412005073	G 1/4	Ø 12	10 piece	0.029 kg
2121610380	G 3/8	Ø 10	10 piece	0.025 kg
R412005074	G 3/8	Ø 12	10 piece	0.034 kg
2121610120	G 1/2	Ø 10	10 piece	0.034 kg
2121612120	G 1/2	Ø 12	10 piece	0.04 kg
R412005076	G 1/2	Ø 14	5 piece	0.025 kg
R412005078	G 1/2	Ø 16	5 piece	0.051 kg

Technical information

The series QR1 (plastic) and QR2 (metal) can not be combined
Thread seal with captive O-ring

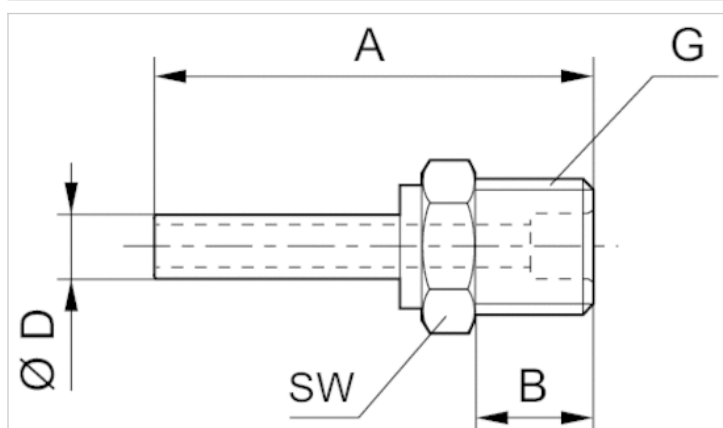
For further information about assembling and tolerances of adaptable tubing can be found in the "Technical information" document (available in the MediaCentre).

Technical information

Material	
Material	nickel-plated
Housing	Polybutyleneterephthalate
Seal	Acrylonitrile butadiene rubber
Thread	Brass, nickel-plated

Dimensions

Dimensions



Dimensions

Part No.	Port D	Port G	A	B	SW
2121604050	Ø 4	M5	36.9	4	10
R412005068	Ø 6	M5	41.9	4	10
2121604180	Ø 4	G 1/8	30	5	10
2121606180	Ø 6	G 1/8	45	5	10
R412005071	Ø 8	G 1/8	45	5	12
2121606140	Ø 6	G 1/4	36	6	14
2121608140	Ø 8	G 1/4	38	6	14
R412005072	Ø 10	G 1/4	50	6	17
R412005073	Ø 12	G 1/4	57	6	19
2121610380	Ø 10	G 3/8	44	7	17
R412005074	Ø 12	G 3/8	53	7	19
2121610120	Ø 10	G 1/2	46	8.5	21
2121612120	Ø 12	G 1/2	51	8.5	21
R412005076	Ø 14	G 1/2	52.5	8.5	24
R412005078	Ø 16	G 1/2	61	8.5	21

QR1-S-RSI standard series

- Bulkhead connector
- Internal thread
- G 1/8 G 1/4 G 3/8 G 1/2
- push-in fitting
- Ø 4 Ø 6 Ø 8 Ø 10 Ø 12
- QR1-S-RSI



Working pressure min./max.	-0.95 ... 10 bar
Ambient temperature min./max.	0 ... 60 °C
Weight per piece	See table below

Technical data

Part No.	Port G	Port D	Delivery unit	Weight per piece
2122604180	G 1/8	Ø 4	10 piece	0.018 kg
2122606180	G 1/8	Ø 6	10 piece	0.026 kg
R412005232	G 1/8	Ø 8	10 piece	0.078 kg
2122606140	G 1/4	Ø 6	10 piece	0.028 kg
2122608140	G 1/4	Ø 8	10 piece	0.044 kg
R412005233	G 1/4	Ø 10	10 piece	0.066 kg
R412005231	G 3/8	Ø 8	10 piece	0.036 kg
2122610380	G 3/8	Ø 10	10 piece	0.069 kg
R412005235	G 3/8	Ø 12	10 piece	0.078 kg
2122612120	G 1/2	Ø 12	10 piece	0.08 kg

Technical information

The series QR1 (plastic) and QR2 (metal) can not be combined

For further information about assembling and tolerances of adaptable tubing can be found in the "Technical information" document (available in the MediaCentre).

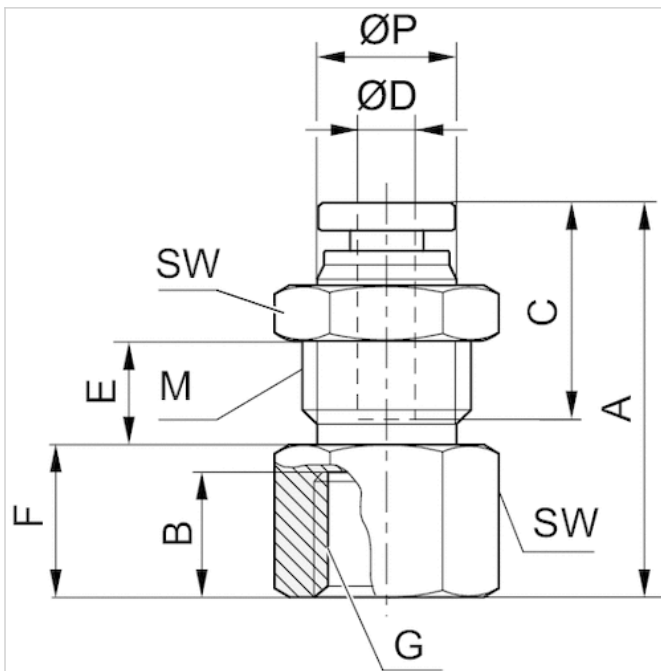
Technical information

Material	
Material	nickel-plated
Housing	Brass, nickel-plated

Material	
Seal	Acrylonitrile butadiene rubber
Tooth lock washer	Stainless steel
Release ring	Polyoxymethylene
Release ring holder	Die cast zinc Brass, nickel-plated
Thread	Brass, nickel-plated

Dimensions

Dimensions



Dimensions

Part No.	Port D	Port G	M	A	B	C	E	F	Ø P	SW
2122604180	Ø 4	G 1/8	M12	26.2	9	16	5	11	10	14
2122606180	Ø 6	G 1/8	M14	27.1	9	17	7.5	9	12	17
R412005232	Ø 8	G 1/8	M16	31.5	9	18.5	9.2	10	14	19
2122606140	Ø 6	G 1/4	M14	31.7	12	17	7.5	13.5	12	17
2122608140	Ø 8	G 1/4	M16	35.5	12	18.5	9.2	14	14	19
R412005233	Ø 10	G 1/4	M20	34	12	21	7	14	17	24
R412005231	Ø 8	G 3/8	M16	36.5	13	18.5	9.2	15	14	19
2122610380	Ø 10	G 3/8	M20	35	13	21	7	15	17	24
R412005235	Ø 12	G 3/8	M22	37.5	13	22.5	9.9	15	20	24
2122612120	Ø 12	G 1/2	M22	41.5	16	22.5	9.9	19	20	24

QR1-S-RVT standard series

- Elbow fitting
- External thread
- M5 G 1/8 G 1/4 G 3/8 G 1/2
- push-in fitting
- Ø 4 Ø 6 Ø 8 Ø 10 Ø 12 Ø 14 Ø 16
- QR1-S-RVT



Working pressure min./max. -0.95 ... 10 bar
 Ambient temperature min./max. 0 ... 60 °C
 Weight per piece See table below

Technical data

Part No.	Port G	Port D	Delivery unit	Weight per piece
2122004050	M5	Ø 4	10 piece	0.006 kg
2122006050	M5	Ø 6	10 piece	0.006 kg
2122004180	G 1/8	Ø 4	10 piece	0.012 kg
2122006180	G 1/8	Ø 6	10 piece	0.013 kg
2122008180	G 1/8	Ø 8	10 piece	0.015 kg
R412005094	G 1/8	Ø 10	10 piece	0.028 kg
R412005095	G 1/8	Ø 12	10 piece	0.039 kg
2122004140	G 1/4	Ø 4	10 piece	0.017 kg
2122006140	G 1/4	Ø 6	10 piece	0.019 kg
2122008140	G 1/4	Ø 8	10 piece	0.023 kg
2122010140	G 1/4	Ø 10	10 piece	0.029 kg
2122012140	G 1/4	Ø 12	10 piece	0.042 kg
R412005092	G 3/8	Ø 6	10 piece	0.031 kg
2122008380	G 3/8	Ø 8	10 piece	0.033 kg
2122010380	G 3/8	Ø 10	10 piece	0.04 kg
2122012380	G 3/8	Ø 12	10 piece	0.044 kg
2122014380	G 3/8	Ø 14	5 piece	0.048 kg
R412005097	G 3/8	Ø 16	5 piece	0.061 kg
R412005093	G 1/2	Ø 8	10 piece	0.049 kg
2122010120	G 1/2	Ø 10	10 piece	0.05 kg
2122012120	G 1/2	Ø 12	10 piece	0.056 kg
2122014120	G 1/2	Ø 14	5 piece	0.066 kg
R412005098	G 1/2	Ø 16	5 piece	0.076 kg

Technical information

The series QR1 (plastic) and QR2 (metal) can not be combined
Thread seal with captive O-ring

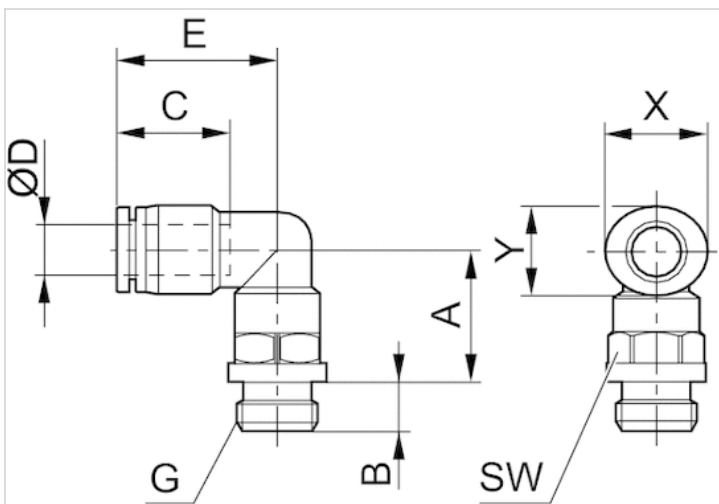
For further information about assembling and tolerances of adaptable tubing can be found in the "Technical information" document (available in the MediaCentre).

Technical information

Material	
Material	nickel-plated
Housing	Polybutyleneterephthalate
Seal	Acrylonitrile butadiene rubber
Tooth lock washer	Stainless steel
Release ring	Polyoxymethylene
Release ring holder	Die cast zinc Brass, nickel-plated
Thread	Brass, nickel-plated

Dimensions

Dimensions



Dimensions

Part No.	Port D	Port G	A	B	C	E	SW	X	Y
2122004050	Ø 4	M5	11.2	4	16	18.7	8	10	12
2122006050	Ø 6	M5	12.2	4	16	20	8	14	12
2122004180	Ø 4	G 1/8	9.5	5	16	18.5	13	12	10
2122006180	Ø 6	G 1/8	10.7	5	17	20.3	13	14	12
2122008180	Ø 8	G 1/8	14.4	5	18.5	22.6	13	16	14
R412005094	Ø 10	G 1/8	16.5	5	21	27	16	19	17
R412005095	Ø 12	G 1/8	18.2	5	22.5	29.2	16	23	21

Part No.	Port D	Port G	A	B	C	E	SW	X	Y
2122004140	Ø 4	G 1/4	9.5	6	16	18.5	16	12	10
2122006140	Ø 6	G 1/4	10.7	6	17	20.3	16	14	12
2122008140	Ø 8	G 1/4	11.5	6	18.5	22.6	16	16	14
2122010140	Ø 10	G 1/4	16.5	6	21	27	16	19	17
2122012140	Ø 12	G 1/4	18.3	6	22.5	29.2	16	23	21
R412005092	Ø 6	G 3/8	11.2	7	17	20.3	20	14	12
2122008380	Ø 8	G 3/8	11.5	7	18.5	22.6	20	16	14
2122010380	Ø 10	G 3/8	13.6	7	21	27	20	19	16
2122012380	Ø 12	G 3/8	15.3	7	22.5	29.2	20	23	21
2122014380	Ø 14	G 3/8	23.1	7	24.6	32.1	20	25	23
R412005097	Ø16	G 3/8	24.2	7	24.8	33.3	20	27	24
R412005093	Ø 8	G 1/2	12.5	8.5	18.5	22.6	24	16	14
2122010120	Ø 10	G 1/2	14.1	8.5	21	27	24	19	14
2122012120	Ø 12	G 1/2	15.8	8.5	22.5	29.2	24	23	21
2122014120	Ø 14	G 1/2	17.1	8.5	24.6	32.1	24	25	23
R412005098	Ø16	G 1/2	18.2	8.5	24.8	33.3	24	27	24

QR1-S-RVL standard series

- Long elbow fitting
- External thread
- M5 G 1/8 G 1/4 G 3/8 G 1/2
- push-in fitting
- Ø 4 Ø 6 Ø 8 Ø 10 Ø 12
- QR1-S-RVL



Working pressure min./max.	-0.95 ... 10 bar
Ambient temperature min./max.	0 ... 60 °C
Weight per piece	See table below

Technical data

Part No.	Port G	Port D	Delivery unit	Weight per piece
2122104050	M5	Ø 4	10 piece	0.011 kg
R412005099	M5	Ø 6	10 piece	0.012 kg
2122104180	G 1/8	Ø 4	10 piece	0.027 kg
2122106180	G 1/8	Ø 6	10 piece	0.031 kg
2122108180	G 1/8	Ø 8	10 piece	0.034 kg
2122104140	G 1/4	Ø 4	10 piece	0.037 kg
2122106140	G 1/4	Ø 6	10 piece	0.044 kg
2122108140	G 1/4	Ø 8	10 piece	0.051 kg
2122110140	G 1/4	Ø 10	10 piece	0.078 kg
R412005103	G 1/4	Ø 12	10 piece	0.099 kg
2122108380	G 3/8	Ø 8	10 piece	0.068 kg
2122110380	G 3/8	Ø 10	10 piece	0.088 kg
R412005104	G 3/8	Ø 12	10 piece	0.101 kg
R412005105	G 1/2	Ø 12	10 piece	0.106 kg

Technical information

The series QR1 (plastic) and QR2 (metal) can not be combined
Thread seal with captive O-ring

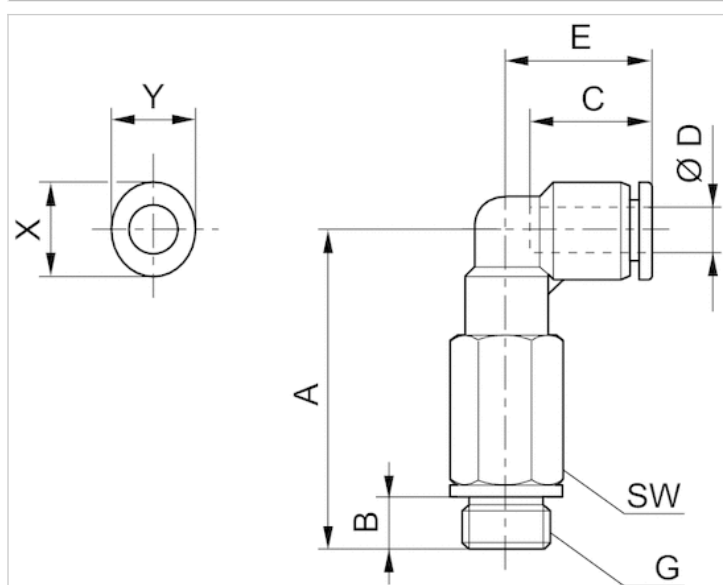
For further information about assembling and tolerances of adaptable tubing can be found in the "Technical information" document (available in the MediaCentre).

Technical information

Material	
Material	nickel-plated
Housing	Polybutyleneterephthalate
Seal	Acrylonitrile butadiene rubber
Tooth lock washer	Stainless steel
Release ring	Polyoxymethylene
Release ring holder	Die cast zinc Brass, nickel-plated
Thread	Brass, nickel-plated

Dimensions

Dimensions



Dimensions

Part No.	Port D	Port G	A	B	C	E	SW	X	Y
2122104050	Ø 4	M5	30.2	4	16	18.3	8	12	10
R412005099	Ø 6	M5	31.4	4	17	19.5	8	14	12
2122104180	Ø 4	G 1/8	29.5	5	16	18.3	13	12	10
2122106180	Ø 6	G 1/8	30.7	5	17	19.5	13	14	12
2122108180	Ø 8	G 1/8	37	5	18.5	22.7	13	16	14
2122104140	Ø 4	G 1/4	31.5	6	16	18.3	16	12	10
2122106140	Ø 6	G 1/4	31.7	6	17	19.5	16	14	12
2122108140	Ø 8	G 1/4	35	6	18.5	22.7	16	16	14
2122110140	Ø 10	G 1/4	54.6	6	21	26.5	16	19	17
R412005103	Ø 12	G 1/4	47.3	6	22.5	28.3	16	23	21
2122108380	Ø 8	G 3/8	36	7	18.5	22.7	20	16	14
2122110380	Ø 10	G 3/8	43.6	7	21	26.5	20	19	17
R412005104	Ø 12	G 3/8	45.3	7	22.5	28.3	20	23	21

Part No.	Port D	Port G	A	B	C	E	SW	X	Y
R412005105	Ø 12	G 1/2	47.3	8.5	22.5	28.3	24	23	21

QR1-S-RVI standard series

- Elbow screw fitting
- Internal thread
- G 1/8 G 1/4
- push-in fitting
- Ø 4 Ø 6 Ø 8 Ø 10
- QR1-S-RVI



Working pressure min./max.	-0.95 ... 10 bar
Ambient temperature min./max.	0 ... 60 °C
Weight per piece	See table below

Technical data

Part No.	Port G	Port D	Delivery unit	Weight per piece
R412005129	G 1/8	Ø 4	10 piece	0.016 kg
R412005130	G 1/8	Ø 6	10 piece	0.016 kg
R412005131	G 1/8	Ø 8	10 piece	0.023 kg
R412005132	G 1/4	Ø 4	10 piece	0.019 kg
R412005133	G 1/4	Ø 6	10 piece	0.022 kg
R412005134	G 1/4	Ø 8	10 piece	0.025 kg
R412005135	G 1/4	Ø 10	10 piece	0.036 kg

Technical information

The series QR1 (plastic) and QR2 (metal) can not be combined

For further information about assembling and tolerances of adaptable tubing can be found in the "Technical information" document (available in the MediaCentre).

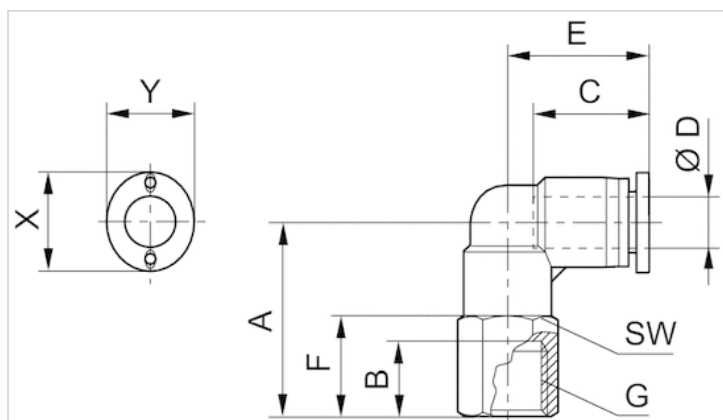
Technical information

Material	
Material	nickel-plated
Housing	Polybutyleneterephthalate
Seal	Acrylonitrile butadiene rubber
Tooth lock washer	Stainless steel
Release ring	Polyoxymethylene

Material	
Release ring holder	Die cast zinc Brass, nickel-plated
Thread	Brass, nickel-plated

Dimensions

Dimensions



Dimensions

Part No.	Port D	Port G	A	B	C	E	F	SW	X	Y
R412005129	Ø 4	G 1/8	26	9	16	18.5	11	14	12	10
R412005130	Ø 6	G 1/8	26	9	17	20.3	12	14	14	12
R412005131	Ø 8	G 1/8	26	9	18.5	22.6	12	14	16	14
R412005132	Ø 4	G 1/4	29	12	16	18.5	14	17	12	10
R412005133	Ø 6	G 1/4	29	12	17	20.3	14	17	14	12
R412005134	Ø 8	G 1/4	29	12	18.5	22.6	15	17	16	14
R412005135	Ø 10	G 1/4	33	12	21	27	13	17	19	17

QR1-S-RW1 standard series

- Swivel banjo connection 1-fold
- External thread
- M5 G 1/8 G 1/4 G 3/8
- push-in fitting
- Ø 4 Ø 6 Ø 8 Ø 10 Ø 12
- QR1-S-RW1



Working pressure min./max.	-0.95 ... 10 bar
Ambient temperature min./max.	0 ... 60 °C
Weight per piece	See table below

Technical data

Part No.	Port G	Port D	Delivery unit	Weight per piece
R412005236	M5	Ø 4	10 piece	0.007 kg
R412005238	M5	Ø 6	10 piece	0.008 kg
R412005237	G 1/8	Ø 4	10 piece	0.015 kg
R412005239	G 1/8	Ø 6	10 piece	0.016 kg
R412005240	G 1/8	Ø 8	10 piece	0.016 kg
R412005241	G 1/4	Ø 6	10 piece	0.028 kg
R412005242	G 1/4	Ø 8	10 piece	0.03 kg
R412005243	G 1/4	Ø 10	10 piece	0.032 kg
R412005244	G 3/8	Ø 8	5 piece	0.053 kg
R412005245	G 3/8	Ø 10	5 piece	0.055 kg
R412005246	G 3/8	Ø 12	5 piece	0.058 kg

Technical information

The series QR1 (plastic) and QR2 (metal) can not be combined
Thread seal with captive O-ring

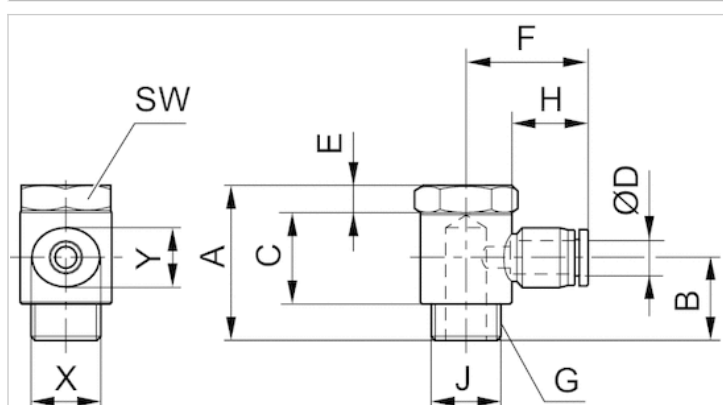
For further information about assembling and tolerances of adaptable tubing can be found in the "Technical information" document (available in the MediaCentre).

Technical information

Material	
Material	nickel-plated
Housing	Polybutyleneterephthalate
Seal	Acrylonitrile butadiene rubber
Tooth lock washer	Stainless steel
Release ring	Polyoxymethylene
Release ring holder	Die cast zinc Brass, nickel-plated
Thread	Brass, nickel-plated

Dimensions

Dimensions



Dimensions

Part No.	Port D	Port G	A	B	C	E	F	H	Ø J	SW	X	Y
R412005236	Ø 4	M5	17	11	9	3	20.7	16	10	8	12	10
R412005238	Ø 6	M5	17	11	9	3	23.2	17	10	8	14	12
R412005237	Ø 4	G 1/8	26.5	14	17	4	23.3	16	15	14	12	10
R412005239	Ø 6	G 1/8	26.5	14	17	4	24.8	17	15	14	14	12
R412005240	Ø 8	G 1/8	26.5	14	17	4	26.3	18.5	15	14	16	14
R412005241	Ø 6	G 1/4	32	17.5	19	5	25.9	17	18	17	14	12
R412005242	Ø 8	G 1/4	32	17.5	19	5	26.3	18.5	18	17	16	14
R412005243	Ø 10	G 1/4	32	17.5	19	5	29.8	21	17	17	19	17
R412005244	Ø 8	G 3/8	36.5	19.5	22	6	26.3	18.5	21.5	21	16	14
R412005245	Ø 10	G 3/8	36.5	19.5	22	6	29.8	21	21.5	21	19	17
R412005246	Ø 12	G 3/8	36.5	19.5	22	6	33.3	22.5	21.5	21	23	21

QR1-S-RW2 standard series

- Swivel banjo connection 2-fold
- External thread
- G 1/8 G 1/4 G 3/8 G 1/2
- push-in fitting
- Ø 4 Ø 6 Ø 8 Ø 10 Ø 12
- QR1-S-RW2



Working pressure min./max.	-0.95 ... 10 bar
Ambient temperature min./max.	0 ... 60 °C
Weight per piece	See table below

Technical data

Part No.	Port G	Port D	Delivery unit	Weight per piece
R412005141	G 1/8	Ø 4	10 piece	0.028 kg
R412005144	G 1/8	Ø 6	10 piece	0.03 kg
R412005147	G 1/8	Ø 8	10 piece	0.044 kg
R412005145	G 1/4	Ø 6	10 piece	0.033 kg
R412005148	G 1/4	Ø 8	10 piece	0.048 kg
R412005149	G 3/8	Ø 8	10 piece	0.052 kg
R412005152	G 3/8	Ø 10	5 piece	0.091 kg
R412005155	G 1/2	Ø 12	5 piece	0.159 kg

Technical information

The series QR1 (plastic) and QR2 (metal) can not be combined
Thread seal with captive O-ring

For further information about assembling and tolerances of adaptable tubing can be found in the "Technical information" document (available in the MediaCentre).

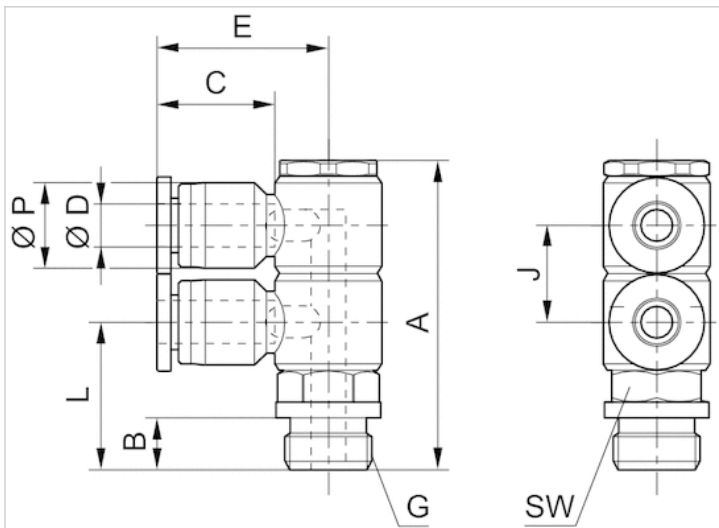
Technical information

Material	
Material	nickel-plated
Housing	Polybutyleneterephthalate
Seal	Acrylonitrile butadiene rubber

Material	
Tooth lock washer	Stainless steel
Release ring	Polyoxymethylene
Release ring holder	Die cast zinc Brass, nickel-plated
Thread	Brass, nickel-plated

Dimensions

Dimensions



Dimensions

Part No.	Port D	Port G	A	B	C	E	J	L	SW	Ø P
R412005141	Ø 4	G 1/8	43.2	5	16	22.3	14	13	14	10.4
R412005144	Ø 6	G 1/8	43.2	5	17	26.5	14	13	14	12.4
R412005147	Ø 8	G 1/8	43.2	5	18.5	29.1	15	16	17	14.4
R412005145	Ø 6	G 1/4	43.2	6	17	26.5	14	15	17	12.4
R412005148	Ø 8	G 1/4	45.2	6	18.5	29.1	15	15	17	14.4
R412005149	Ø 8	G 3/8	46.2	7	18.5	29.1	15	18	21	14.4
R412005152	Ø 10	G 3/8	54.6	7	21	34.3	18	18	21	17.6
R412005155	Ø 12	G 1/2	66.3	8.5	22.5	38.3	21.8	23.5	27	21.2

QR1-S-RW6 standard series

- Swivel banjo connection 3-fold, double
- External thread
- G 1/8 G 1/4 G 3/8
- push-in fitting
- Ø 4 Ø 6 Ø 8 Ø 10
- QR1-S-RW6



Working pressure min./max.	-0.95 ... 10 bar
Ambient temperature min./max.	0 ... 60 °C
Weight per piece	See table below

Technical data

Part No.	Port G	Port D	Delivery unit	Weight per piece
R412005186	G 1/8	Ø 4	10 piece	0.044 kg
R412005187	G 1/8	Ø 6	10 piece	0.05 kg
R412005189	G 1/4	Ø 4	10 piece	0.046 kg
R412005190	G 1/4	Ø 6	10 piece	0.052 kg
R412005191	G 1/4	Ø 8	10 piece	0.074 kg
R412005194	G 3/8	Ø 6	10 piece	0.062 kg
R412005195	G 3/8	Ø 8	10 piece	0.079 kg
R412005196	G 3/8	Ø 10	5 piece	0.134 kg

Technical information

The series QR1 (plastic) and QR2 (metal) can not be combined
Thread seal with captive O-ring

For further information about assembling and tolerances of adaptable tubing can be found in the "Technical information" document (available in the MediaCentre).

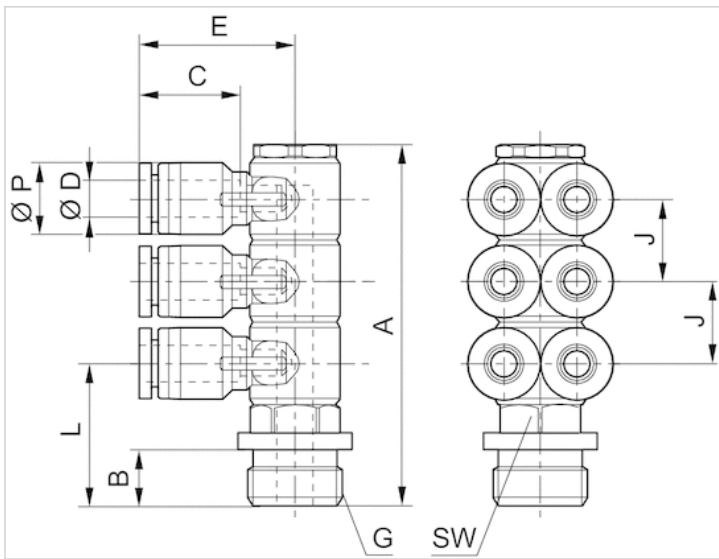
Technical information

Material	
Material	nickel-plated
Housing	Polybutyleneterephthalate
Seal	Acrylonitrile butadiene rubber

Material	
Tooth lock washer	Stainless steel
Release ring	Polyoxymethylene
Release ring holder	Die cast zinc Brass, nickel-plated
Thread	Brass, nickel-plated

Dimensions

Dimensions



Dimensions

Part No.	Port D	Port G	A	B	C	E	J	L	Ø P	SW
R412005186	Ø 4	G 1/8	55.2	5	16	22.3	14	15.6	10.4	14
R412005187	Ø 6	G 1/8	55.2	5	17	26.5	14	15.6	12.4	14
R412005189	Ø 4	G 1/4	57.2	6	16	22.3	14	16	10.4	17
R412005190	Ø 6	G 1/4	57.2	6	17	26.5	14	16	12.4	17
R412005191	Ø 8	G 1/4	60.3	6	18.5	29.1	15	16.5	14.4	17
R412005194	Ø 6	G 3/8	58.2	7	17	26.5	14	15.5	12.4	21
R412005195	Ø 8	G 3/8	61.3	7	18.5	29.1	15	16	14.4	21
R412005196	Ø 10	G 3/8	72.2	7	21	34.3	18	20.8	17.6	21

QR1-S-RID standard series

- Swivel banjo connection 2-fold, with internal thread
- External thread
- M5 R 1/8 R 1/4 R 3/8
- push-in fitting
- Ø 4 Ø 6 Ø 8 Ø 10
- Internal thread
- M5 G 1/8 G 1/4 G 3/8
- QR1-S-RID



Working pressure min./max.

-0.95 ... 10 bar

Ambient temperature min./max.

0 ... 60 °C

Weight per piece

See table below

Technical data

Part No.	Port G	Port D	Delivery unit	Weight per piece
R412005259	M5	Ø 4	10 piece	0.009 kg
R412005260	R 1/8	Ø 6	10 piece	0.028 kg
R412005261	R 1/4	Ø 8	10 piece	0.047 kg
R412005262	R 3/8	Ø 10	5 piece	0.081 kg

Technical information

The series QR1 (plastic) and QR2 (metal) can not be combined
Thread seal with captive O-ring

For further information about assembling and tolerances of adaptable tubing can be found in the "Technical information" document (available in the MediaCentre).

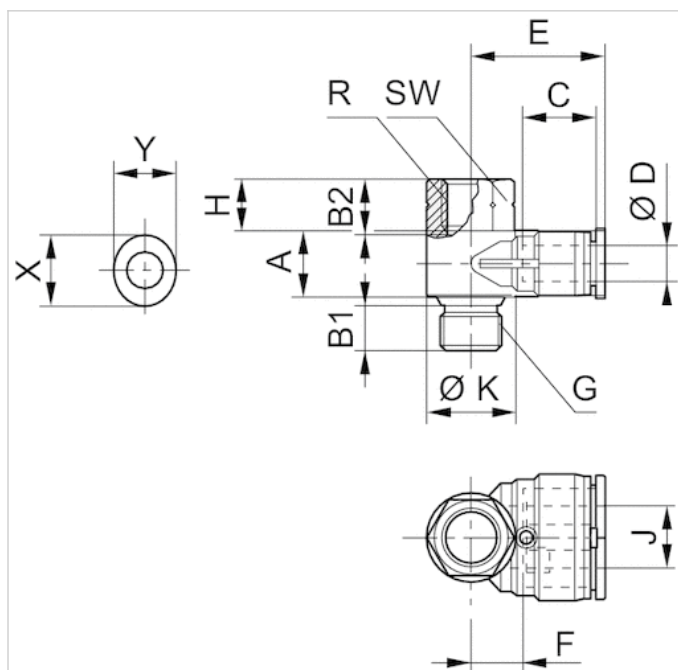
Technical information

Material	
Material	nickel-plated
Housing	Polybutyleneterephthalate
Seal	Acrylonitrile butadiene rubber
Tooth lock washer	Stainless steel
Release ring	Polyoxymethylene

Material	
Release ring holder	Die cast zinc Brass, nickel-plated
Thread	Brass, nickel-plated

Dimensions

Dimensions



Dimensions

Part No.	Port R	Port D	Port G	A	B1	B2	C	E	H	J	Ø K	SW	X	Y
R412005259	M5	Ø 4	M5	8.9	5.5	5	16	20.9	6.5	10	10	8	12	10
R412005260	G 1/8	Ø 6	R 1/8	14	8	9	17	26.7	9.5	12	15.5	14	14	12
R412005261	G 1/4	Ø 8	R 1/4	15	11	12	18.5	30.2	11.5	14	20	17	16	14
R412005262	G 3/8	Ø 10	R 3/8	18	12	13	21	34.3	13.5	17	23	22	19	17

QR1-S-RH1 standard series

- 1x banjo bolt
- External thread
- G 1/8 G 1/4
- Uncollected
- QR1-S-RH1



Working pressure min./max.

-0.95 ... 10 bar

Ambient temperature min./max.

0 ... 60 °C

Weight per piece

See table below

Technical data

Part No.	Port G	Delivery unit	Weight per piece
R412005313	G 1/8	10 piece	0.016 kg
R412005314	G 1/4	10 piece	0.027 kg

Incl. 2 O-rings per banjo bolt in scope of delivery

Technical information

The series QR1 (plastic) and QR2 (metal) can not be combined

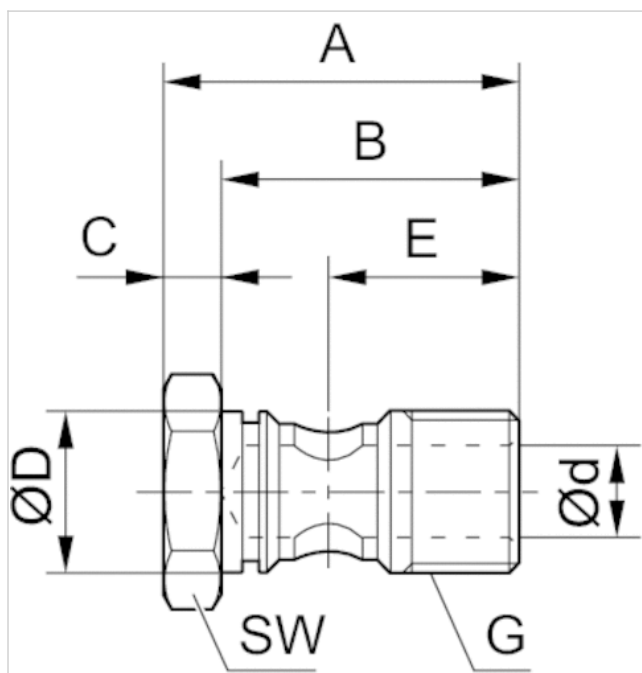
For further information about assembling and tolerances of adaptable tubing can be found in the "Technical information" document (available in the MediaCentre).

Technical information

Material	
Material	nickel-plated
Housing	Brass, nickel-plated
Seal	Acrylonitrile butadiene rubber
Thread	Brass, nickel-plated

Dimensions

Dimensions



Dimensions

Part No.	Port G	Ø D	A	B	C	Ø d	E	SW
R412005313	G 1/8	9.7	25.5	21.5	4	5	13	14
R412005314	G 1/4	13.1	30	25	5	7	15.5	17

QR1-S-RH2 standard series

- 2x banjo bolt
- External thread
- G 1/8 G 1/4
- Uncollected
- QR1-S-RH2



Working pressure min./max.

-0.95 ... 10 bar

Ambient temperature min./max.

0 ... 60 °C

Weight per piece

See table below

Technical data

Part No.	Port G	Delivery unit	Weight per piece
R412000613	G 1/8	10 piece	0.034 kg
R412000614	G 1/4	10 piece	0.036 kg

Incl. 3 O-rings per banjo bolt in scope of delivery

Technical information

The series QR1 (plastic) and QR2 (metal) can not be combined

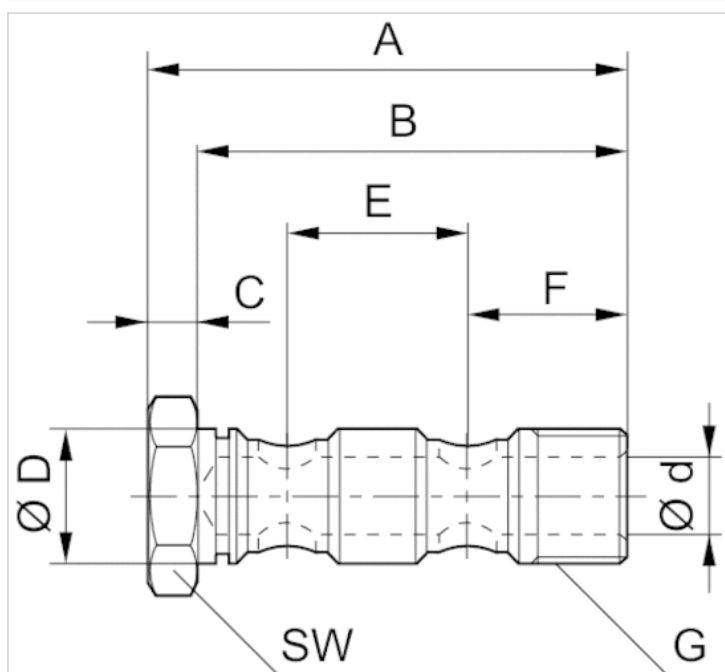
For further information about assembling and tolerances of adaptable tubing can be found in the "Technical information" document (available in the MediaCentre).

Technical information

Material	
Material	nickel-plated
Housing	Brass, nickel-plated
Seal	Acrylonitrile butadiene rubber
Thread	Brass, nickel-plated

Dimensions

Dimensions



Dimensions

Part No.	Port G	Ø D	A	B	C	Ø d	E	F	SW
R412000613	G 1/8	9.7	42.5	38.5	4	5	17	14	14
R412000614	G 1/4	13.1	51	46	5	7	19	17.5	17

QR1-S-RH3 standard series

- 3x banjo bolt
- External thread
- G 1/8 G 1/4
- Uncollected
- QR1-S-RH3



Working pressure min./max.	-0.95 ... 10 bar
Ambient temperature min./max.	0 ... 60 °C
Weight per piece	See table below

Technical data

Part No.	Port G	Delivery unit	Weight per piece
R412005319	G 1/8	10 piece	0.036 kg
R412000615	G 1/4	10 piece	0.039 kg

Incl. 4 O-rings per banjo bolt in scope of delivery

Technical information

The series QR1 (plastic) and QR2 (metal) can not be combined

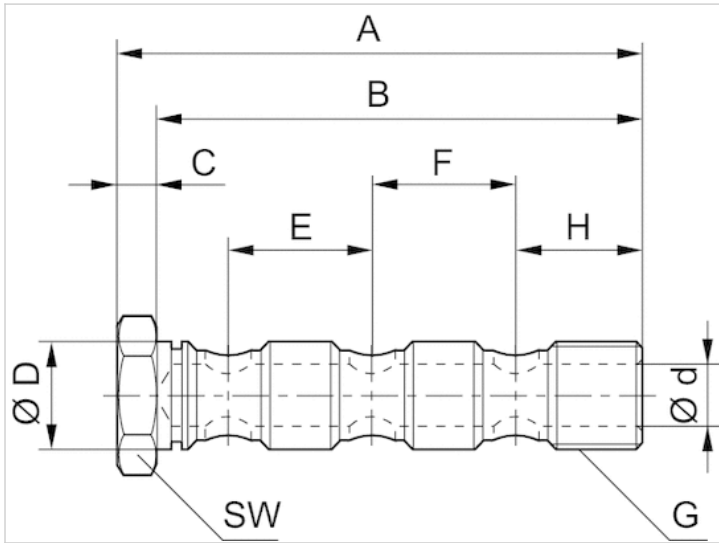
For further information about assembling and tolerances of adaptable tubing can be found in the "Technical information" document (available in the MediaCentre).

Technical information

Material	
Material	nickel-plated
Housing	Brass, nickel-plated
Seal	Acrylonitrile butadiene rubber
Thread	Brass, nickel-plated

Dimensions

Dimensions



Dimensions

Part No.	Port G	Ø D	A	B	C	Ø d	E	F	H	SW
R412005319	G 1/8	9.7	59.5	55.5	4	5	17	17	13	14
R412000615	G 1/4	13.1	68	63	5	7	19	19	15.5	17

QR1-S-RV1 standard series

- 1x banjo union
- Uncollected
- G 1/8 G 1/4
- push-in fitting
- Ø 4 Ø 6 Ø 8 Ø 10
- QR1-S-RV1



Working pressure min./max.	-0.95 ... 10 bar
Ambient temperature min./max.	0 ... 60 °C
Weight per piece	See table below

Technical data

Part No.	Port G	Port D	Delivery unit	Weight per piece
R412000617	G 1/8	Ø 4	10 piece	0.002 kg
R412000623	G 1/8	Ø 6	10 piece	0.003 kg
R412000618	G 1/8	Ø 8	10 piece	0.004 kg
R412000624	G 1/4	Ø 6	10 piece	0.004 kg
R412000619	G 1/4	Ø 8	10 piece	0.004 kg
R412005303	G 1/4	Ø 10	10 piece	0.007 kg

Technical information

The series QR1 (plastic) and QR2 (metal) can not be combined

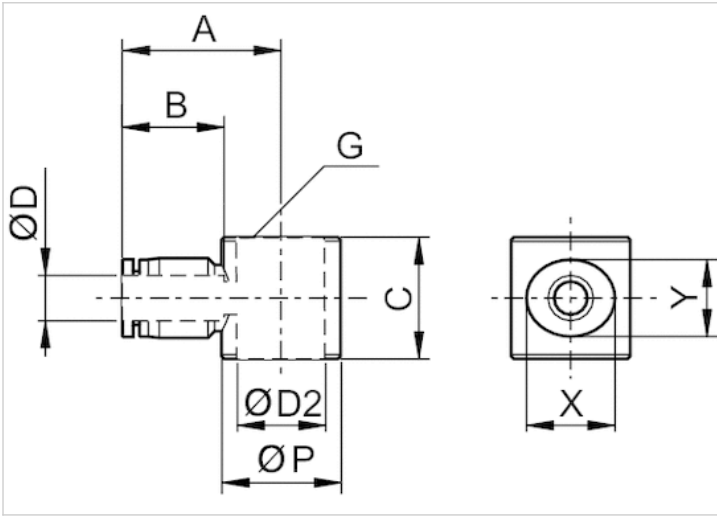
For further information about assembling and tolerances of adaptable tubing can be found in the "Technical information" document (available in the MediaCentre).

Technical information

Material	
Material	nickel-plated
Housing	Polybutyleneterephthalate
Seal	Acrylonitrile butadiene rubber
Tooth lock washer	Stainless steel
Release ring	Polyoxymethylene
Release ring holder	Die cast zinc Brass, nickel-plated

Dimensions

Dimensions



Dimensions

Part No.	Port D	Port G	Ø D2	A	B	C	Ø P	X	Y
R412000617	Ø 4	G 1/8	9.8	19	16	17	15	12	10
R412000623	Ø 6	G 1/8	9.8	24.8	17	17	15	14	12
R412000618	Ø 8	G 1/8	9.8	21.6	18.5	19	15	16	14
R412000624	Ø 6	G 1/4	13.2	20.9	17	17	18	14	12
R412000619	Ø 8	G 1/4	13.2	21.6	18.5	19	18	16	14
R412005303	Ø 10	G 1/4	13.2	24	21	22	18	19	17

QR1-S-RT1 standard series

- 2x banjo union
- Uncollected
- G 1/8 G 1/4
- push-in fitting
- Ø 6 Ø 8 Ø 10
- QR1-S-RT1



Working pressure min./max.	-0.95 ... 10 bar
Ambient temperature min./max.	0 ... 60 °C
Weight per piece	See table below

Technical data

Part No.	Port G	Port D	Delivery unit	Weight per piece
R412000625	G 1/8	Ø 6	10 piece	0.006 kg
R412005306	G 1/8	Ø 8	10 piece	0.008 kg
R412000626	G 1/4	Ø 6	10 piece	0.006 kg
R412000622	G 1/4	Ø 8	10 piece	0.009 kg
R412005308	G 1/4	Ø 10	10 piece	0.013 kg

Technical information

The series QR1 (plastic) and QR2 (metal) can not be combined

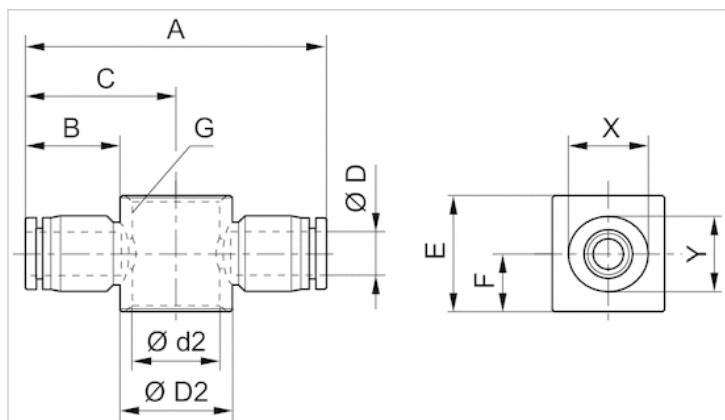
For further information about assembling and tolerances of adaptable tubing can be found in the "Technical information" document (available in the MediaCentre).

Technical information

Material	
Material	nickel-plated
Housing	Polybutyleneterephthalate
Seal	Acrylonitrile butadiene rubber
Tooth lock washer	Stainless steel
Release ring	Polyoxymethylene
Release ring holder	Die cast zinc Brass, nickel-plated

Dimensions

Dimensions



Dimensions

Part No.	Port D	Port G	A	B	C	Ø D2	Ø d2	E	F	X	Y
R412000625	Ø 6	G 1/8	39.9	17	19.8	15	9.8	17	8.5	14	12
R412005306	Ø 8	G 1/8	43.2	18.5	21.6	15	9.8	17	8.5	16	14
R412000626	Ø 6	G 1/4	41.8	19	20.9	18	13.2	19	9.5	14	12
R412000622	Ø 8	G 1/4	43.2	18.5	21.9	18	13.2	19	9.5	16	14
R412005308	Ø 10	G 1/4	48	21	24	18	13.2	19	9.5	19	17

QR1-S-RTT standard series

- T-union
- External thread
- M5 G 1/8 G 1/4 G 3/8 G 1/2
- push-in fitting
- Ø 4 Ø 6 Ø 8 Ø 10 Ø 12 Ø 14 Ø 16
- QR1-S-RTT



Working pressure min./max.	-0.95 ... 10 bar
Ambient temperature min./max.	0 ... 60 °C
Weight per piece	See table below

Technical data

Part No.	Port G	Port D	Delivery unit	Weight per piece
2122204050	M5	Ø 4	10 piece	0.011 kg
R412005201	M5	Ø 6	10 piece	0.014 kg
2122204180	G 1/8	Ø 4	10 piece	0.014 kg
2122206180	G 1/8	Ø 6	10 piece	0.015 kg
2122208180	G 1/8	Ø 8	10 piece	0.019 kg
R412005205	G 1/8	Ø 10	10 piece	0.035 kg
2122204140	G 1/4	Ø 4	10 piece	0.019 kg
2122206140	G 1/4	Ø 6	10 piece	0.022 kg
2122208140	G 1/4	Ø 8	10 piece	0.027 kg
2122210140	G 1/4	Ø 10	10 piece	0.035 kg
R412005206	G 1/4	Ø 12	10 piece	0.05 kg
R412005203	G 3/8	Ø 6	10 piece	0.034 kg
2122208380	G 3/8	Ø 8	10 piece	0.034 kg
2122210380	G 3/8	Ø 10	10 piece	0.036 kg
2122212380	G 3/8	Ø 12	10 piece	0.052 kg
2122214380	G 3/8	Ø 14	10 piece	0.051 kg
2122210120	G 1/2	Ø 10	10 piece	0.057 kg
2122212120	G 1/2	Ø 12	5 piece	0.052 kg
2122214120	G 1/2	Ø 14	5 piece	0.05 kg
R412005209	G 1/2	Ø 16	5 piece	0.114 kg

Technical information

The series QR1 (plastic) and QR2 (metal) can not be combined
Thread seal with captive O-ring

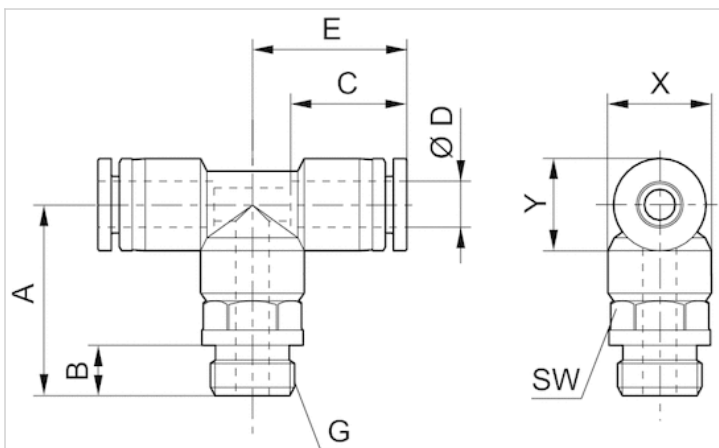
For further information about assembling and tolerances of adaptable tubing can be found in the "Technical information" document (available in the MediaCentre).

Technical information

Material	
Material	nickel-plated
Housing	Polybutyleneterephthalate
Seal	Acrylonitrile butadiene rubber
Tooth lock washer	Stainless steel
Release ring	Polyoxymethylene
Release ring holder	Die cast zinc Brass, nickel-plated
Thread	Brass, nickel-plated

Dimensions

Dimensions



Dimensions

Part No.	Port D	Port G	A	B	C	E	SW	X	Y
2122204050	Ø 4	M5	20.5	4	16	18.3	10	12	10
R412005201	Ø 6	M5	21.5	5	17	20.4	12	14	12
2122204180	Ø 4	G 1/8	21.6	5	16	18.1	10	12	10
2122206180	Ø 6	G 1/8	21.9	5	17	20.4	12	14	12
2122208180	Ø 8	G 1/8	22.5	5	18.5	22.7	14	16	14
R412005205	Ø 10	G 1/8	29	5	21	26.1	17	19	17
2122204140	Ø 4	G 1/4	22.6	6	16	18.1	17	12	10
2122206140	Ø 6	G 1/4	23.9	6	17	20.4	17	14	12
2122208140	Ø 8	G 1/4	24.5	6	18.5	22.7	17	16	14

Part No.	Port D	Port G	A	B	C	E	SW	X	Y
2122210140	Ø 10	G 1/4	30	6	21	26.1	17	19	17
R412005206	Ø 12	G 1/4	32	6	22.5	29.3	21	23	21
R412005203	Ø 6	G 3/8	25.9	7	17	20.4	20	14	12
2122208380	Ø 8	G 3/8	25.8	7	18.5	22.7	20	16	14
2122210380	Ø 10	G 3/8	31	7	21	26.1	20	19	17
2122212380	Ø 12	G 3/8	33	7	22.5	29.3	21	23	21
2122214380	Ø 14	G 3/8	30.1	7	24.6	32.1	20	25	23
2122210120	Ø 10	G 1/2	32.5	8.5	21	26.1	24	19	17
2122212120	Ø 12	G 1/2	34.5	8.5	22.5	29.3	24	23	21
2122214120	Ø 14	G 1/2	25.6	8.5	24.6	32.1	24	25	23
R412005209	Ø16	G 1/2	40.8	8.5	24.8	33.3	24	27	24

QR1-S-RTS standard series

- T-Banjo connection
- External thread
- G 1/8 G 1/4
- push-in fitting
- Ø 6 Ø 8
- QR1-S-RTS



Working pressure min./max.	-0.95 ... 10 bar
Ambient temperature min./max.	0 ... 60 °C
Weight per piece	See table below

Technical data

Part No.	Port G	Port D	Delivery unit	Weight per piece
R412005292	G 1/8	Ø 6	10 piece	0.03 kg
R412005293	G 1/8	Ø 8	10 piece	0.042 kg
R412005294	G 1/4	Ø 6	10 piece	0.031 kg
R412005295	G 1/4	Ø 8	10 piece	0.046 kg

Technical information

The series QR1 (plastic) and QR2 (metal) can not be combined
Thread seal with captive O-ring

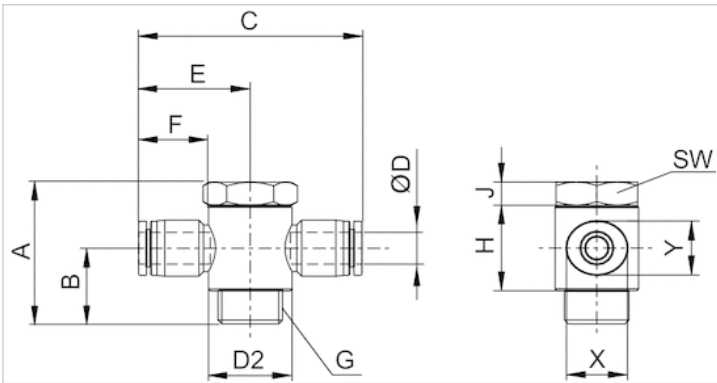
For further information about assembling and tolerances of adaptable tubing can be found in the "Technical information" document (available in the MediaCentre).

Technical information

Material	
Material	nickel-plated
Housing	Polybutyleneterephthalate
Seal	Acrylonitrile butadiene rubber
Tooth lock washer	Stainless steel
Release ring	Polyoxymethylene
Release ring holder	Die cast zinc Brass, nickel-plated
Thread	Brass, nickel-plated

Dimensions

Dimensions



Dimensions

Part No.	Port D	Port G	Ø D2	A	B	C	E	F	H	J	SW	X	Y
R412005292	Ø 6	G 1/8	15	26.5	14	49.6	24.8	17	17	4	14	14	12
R412005293	Ø 8	G 1/8	15	26.5	14	52.6	26.3	18.5	17	4	14	16	14
R412005294	Ø 6	G 1/4	18	32	17.5	51.8	25.9	17	19	5	17	14	12
R412005295	Ø 8	G 1/4	18	32	17.5	52.6	26.3	18.5	19	5	17	16	14

QR1-S-RLT standard series

- Elbow fitting
- External thread
- M5 G 1/8 G 1/4 G 3/8 G 1/2
- push-in fitting
- Ø 4 Ø 6 Ø 8 Ø 10 Ø 12
- QR1-S-RLT



Working pressure min./max.	-0.95 ... 10 bar
Ambient temperature min./max.	0 ... 60 °C
Weight per piece	See table below

Technical data

Part No.	Port G	Port D	Delivery unit	Weight per piece
2122304050	M5	Ø 4	10 piece	0.011 kg
R412005212	M5	Ø 6	10 piece	0.014 kg
2122304180	G 1/8	Ø 4	10 piece	0.014 kg
2122306180	G 1/8	Ø 6	10 piece	0.015 kg
R412005214	G 1/8	Ø 8	10 piece	0.018 kg
R412005211	G 1/4	Ø 4	10 piece	0.019 kg
2122306140	G 1/4	Ø 6	10 piece	0.022 kg
2122308140	G 1/4	Ø 8	10 piece	0.027 kg
R412005215	G 1/4	Ø 10	10 piece	0.035 kg
R412005216	G 1/4	Ø 12	5 piece	0.05 kg
2122308380	G 3/8	Ø 8	10 piece	0.034 kg
2122310380	G 3/8	Ø 10	10 piece	0.046 kg
2122312380	G 3/8	Ø 12	5 piece	0.052 kg
2122310120	G 1/2	Ø 10	10 piece	0.057 kg
2122312120	G 1/2	Ø 12	5 piece	0.064 kg

Technical information

The series QR1 (plastic) and QR2 (metal) can not be combined
Thread seal with captive O-ring

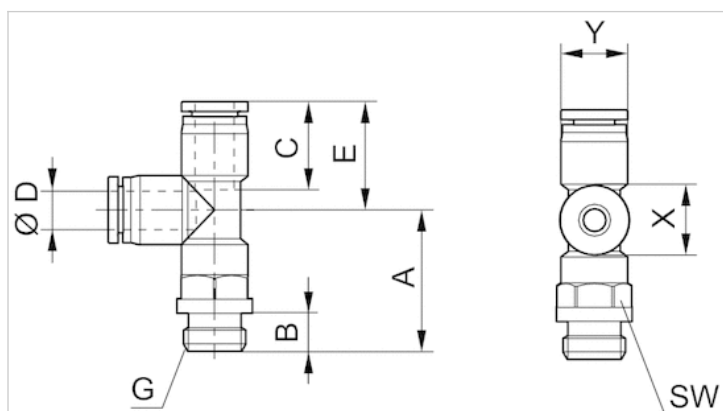
For further information about assembling and tolerances of adaptable tubing can be found in the "Technical information" document (available in the MediaCentre).

Technical information

Material	
Material	nickel-plated
Housing	Polybutyleneterephthalate
Seal	Acrylonitrile butadiene rubber
Tooth lock washer	Stainless steel
Release ring	Polyoxymethylene
Release ring holder	Die cast zinc Brass, nickel-plated
Thread	Brass, nickel-plated

Dimensions

Dimensions



Dimensions

Part No.	Port D	Port G	A	B	C	E	SW	X	Y
2122304050	Ø 4	M5	22.1	4	16	18.5	10	12	10
R412005212	Ø 6	M5	23	4	17	20.4	12	14	12
2122304180	Ø 4	G 1/8	21.6	5	16	18.1	14	12	10
2122306180	Ø 6	G 1/8	21.9	5	17	20.4	14	14	12
R412005214	Ø 8	G 1/8	22.5	5	18.5	22.7	14	16	14
R412005211	Ø 4	G 1/4	22.6	6	16	18.1	17	12	10
2122306140	Ø 6	G 1/4	23.9	6	17	20.4	17	14	12
2122308140	Ø 8	G 1/4	24.5	6	18.5	22.7	17	16	14
R412005215	Ø 10	G 1/4	30	6	21	26.1	17	19	17
R412005216	Ø 12	G 1/4	32	6	22.5	29.3	21	23	21
2122308380	Ø 8	G 3/8	25.5	7	18.5	22.7	20	16	14
2122310380	Ø 10	G 3/8	31	7	21	26.1	20	19	17
2122312380	Ø 12	G 3/8	33	7	22.5	29.3	21	23	21
2122310120	Ø 10	G 1/2	32.5	8.5	21	26.1	24	19	17
2122312120	Ø 12	G 1/2	34.5	8.5	22.5	29.3	24	23	21

QR1-S-RAY standard series

- Y-fitting
- External thread
- M5 G 1/8 G 1/4 G 3/8 G 1/2
- push-in fitting
- Ø 4 Ø 6 Ø 8 Ø 10 Ø 12
- QR1-S-RAY



Working pressure min./max.	-0.95 ... 10 bar
Ambient temperature min./max.	0 ... 60 °C
Weight per piece	See table below

Technical data

Part No.	Port G	Port D	Delivery unit	Weight per piece
2122404050	M5	Ø 4	10 piece	0.011 kg
R412005219	M5	Ø 6	10 piece	0.014 kg
2122404180	G 1/8	Ø 4	10 piece	0.015 kg
2122406180	G 1/8	Ø 6	10 piece	0.016 kg
2122408180	G 1/8	Ø 8	10 piece	0.02 kg
2122404140	G 1/4	Ø 4	10 piece	0.02 kg
2122406140	G 1/4	Ø 6	10 piece	0.022 kg
2122408140	G 1/4	Ø 8	10 piece	0.028 kg
2122410140	G 1/4	Ø 10	10 piece	0.036 kg
R412005221	G 3/8	Ø 8	10 piece	0.035 kg
2122410380	G 3/8	Ø 10	10 piece	0.048 kg
2122412380	G 3/8	Ø 12	10 piece	0.053 kg
R412005222	G 1/2	Ø 8	10 piece	0.041 kg
2122410120	G 1/2	Ø 10	10 piece	0.058 kg
2122412120	G 1/2	Ø 12	10 piece	0.066 kg

Technical information

The series QR1 (plastic) and QR2 (metal) can not be combined
Thread seal with captive O-ring

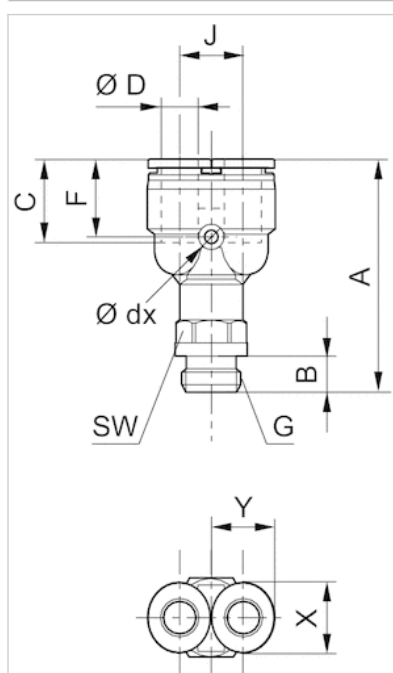
For further information about assembling and tolerances of adaptable tubing can be found in the "Technical information" document (available in the MediaCentre).

Technical information

Material	
Material	nickel-plated
Housing	Polybutyleneterephthalate
Seal	Acrylonitrile butadiene rubber
Tooth lock washer	Stainless steel
Release ring	Polyoxymethylene
Release ring holder	Die cast zinc Brass, nickel-plated
Thread	Brass, nickel-plated

Dimensions

Dimensions



Dimensions

Part No.	Port D	Port G	Ø dx	A	B	C	J	SW	F	X	Y
2122404050	Ø 4	M5	2.2	39	4	15.2	9.6	10	15.2	12	10
R412005219	Ø 6	M5	3.2	40.2	4	17	12	12	17	14	12
2122404180	Ø 4	G 1/8	2.2	42.2	5	15.2	9.6	10	15.2	12	10
2122406180	Ø 6	G 1/8	3.2	43.7	5	17	12	12	17	14	12
2122408180	Ø 8	G 1/8	3.2	47.7	5	17.3	14	14	17.3	16	14
2122404140	Ø 4	G 1/4	2.2	43.2	6	15.2	9.6	12	15.2	12	10
2122406140	Ø 6	G 1/4	3.2	45.7	6	17	12	14	17	14	12
2122408140	Ø 8	G 1/4	3.2	49.7	6	17.3	14	14	17.3	16	14
2122410140	Ø 10	G 1/4	4.2	56.2	6	21.5	18	17	21.5	19	17
R412005221	Ø 8	G 3/8	3.2	51.7	7	17.3	14	17	17.3	16	14
2122410380	Ø 10	G 3/8	4.2	58.2	7	21.5	18	17	21.5	19	17

Part No.	Port D	Port G	Ø dx	A	B	C	J	SW	F	X	Y
2122412380	Ø 12	G 3/8	4.2	59.7	7	21	20	21	21	23	21
R412005222	Ø 8	G 1/2	3.2	53.2	8.5	17.3	14	17	17.3	16	14
2122410120	Ø 10	G 1/2	4.2	59.7	8.5	21.5	18	19	21.5	19	17
2122412120	Ø 12	G 1/2	4.2	62.2	8.5	21	20	21	21	23	21

QR1-S-RSK standard series

- Straight plug connector
- push-in fitting
- Ø 4 Ø 6 Ø 8 Ø 10 Ø 12 Ø 14 Ø 16
- push-in fitting
- Ø 4 Ø 6 Ø 8 Ø 10 Ø 12 Ø 14 Ø 16
- QR1-S-RSK



Working pressure min./max.	-0.95 ... 10 bar
Ambient temperature min./max.	0 ... 60 °C
Weight per piece	See table below

Technical data

Part No.	Port G	Port D	Delivery unit	Weight per piece
2121504000	Ø 4	Ø 4	10 piece	0.004 kg
2121506000	Ø 6	Ø 6	10 piece	0.006 kg
2121508000	Ø 8	Ø 8	10 piece	0.008 kg
2121510000	Ø 10	Ø 10	10 piece	0.013 kg
2121512000	Ø 12	Ø 12	10 piece	0.019 kg
2121514000	Ø 14	Ø 14	5 piece	0.025 kg
R412005059	Ø 16	Ø 16	5 piece	0.035 kg

Technical information

The series QR1 (plastic) and QR2 (metal) can not be combined

For further information about assembling and tolerances of adaptable tubing can be found in the "Technical information" document (available in the MediaCentre).

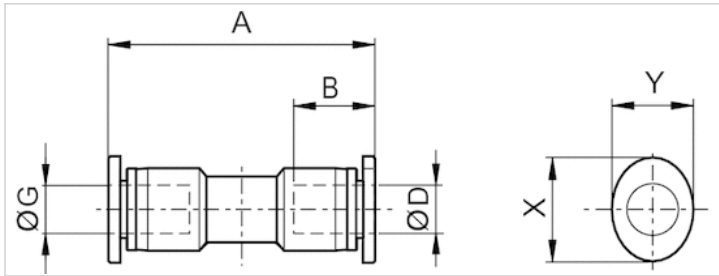
Technical information

Material	
Material	nickel-plated
Housing	Polybutyleneterephthalate
Seal	Acrylonitrile butadiene rubber
Tooth lock washer	Stainless steel
Release ring	Polyoxymethylene

Material	
Release ring holder	Die cast zinc Brass, nickel-plated

Dimensions

Dimensions



Dimensions

Part No.	Port D	Port G	A	B	X	Y
2121504000	Ø 4	Ø 4	33.4	16	12	10
2121506000	Ø 6	Ø 6	35.4	17	14	12
2121508000	Ø 8	Ø 8	39	18.5	16	14
2121510000	Ø 10	Ø 10	43	21	19	17
2121512000	Ø 12	Ø 12	47	22.5	23	21
2121514000	Ø 14	Ø 14	51.2	24.6	25	23
R412005059	Ø16	Ø16	62.2	24.8	27	24

QR1-S-RSR standard series

- Straight plug connector, reducing
- push-in fitting
- Ø 6 Ø 8 Ø 10 Ø 12 Ø 16
- push-in fitting
- Ø 4 Ø 6 Ø 8 Ø 10 Ø 12
- QR1-S-RSR



Working pressure min./max.	-0.95 ... 10 bar
Ambient temperature min./max.	0 ... 60 °C
Weight per piece	See table below

Technical data

Part No.	Port G	Port D	Delivery unit	Weight per piece
R412005060	Ø 6	Ø 4	10 piece	0.005 kg
R412005061	Ø 8	Ø 4	10 piece	0.013 kg
R412005062	Ø 8	Ø 6	10 piece	0.007 kg
R412005063	Ø 10	Ø 6	10 piece	0.02 kg
R412005064	Ø 10	Ø 8	10 piece	0.011 kg
R412005065	Ø 12	Ø 8	10 piece	0.029 kg
R412005066	Ø 12	Ø 10	10 piece	0.016 kg
R412005067	Ø 16	Ø 12	5 piece	0.027 kg

Technical information

The series QR1 (plastic) and QR2 (metal) can not be combined

For further information about assembling and tolerances of adaptable tubing can be found in the "Technical information" document (available in the MediaCentre).

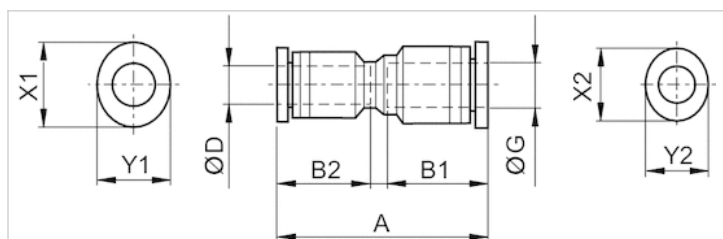
Technical information

Material	
Material	nickel-plated
Housing	Polybutyleneterephthalate
Seal	Acrylonitrile butadiene rubber
Tooth lock washer	Stainless steel

Material	
Release ring	Polyoxymethylene
Release ring holder	Die cast zinc Brass, nickel-plated

Dimensions

Dimensions



Dimensions

Part No.	Port D	Port G	A	B1	B2	X1	X2	Y1	Y2
R412005060	Ø 4	Ø 6	34.9	17	16	14	12	12	10
R412005061	Ø 4	Ø 8	37.2	18.5	17	16	12	14	10
R412005062	Ø 6	Ø 8	38.5	18.5	17	16	14	14	12
R412005063	Ø 6	Ø 10	41	21	18.5	19	14	17	12
R412005064	Ø 8	Ø 10	41	21	18.5	19	16	17	14
R412005065	Ø 8	Ø 12	45	22.5	21	23	16	21	14
R412005066	Ø 10	Ø 12	45	22.5	21	23	19	21	17
R412005067	Ø 12	Ø 16	51.8	24.8	22.5	27	23	24	21

QR1-S-RSM standard series

- Bulkhead push-in fitting, metal
- push-in fitting
- Ø 4 Ø 6 Ø 8 Ø 10 Ø 12
- push-in fitting
- Ø 4 Ø 6 Ø 8 Ø 10 Ø 12
- QR1-S-RSM



Working pressure min./max.	-0.95 ... 10 bar
Ambient temperature min./max.	0 ... 60 °C
Weight per piece	See table below

Technical data

Part No.	Port G	Port D	Delivery unit	Weight per piece
2121404000	Ø 4	Ø 4	10 piece	0.018 kg
2121406000	Ø 6	Ø 6	10 piece	0.025 kg
2121408000	Ø 8	Ø 8	10 piece	0.034 kg
2121410000	Ø 10	Ø 10	10 piece	0.059 kg
2121412000	Ø 12	Ø 12	10 piece	0.078 kg

Technical information

The series QR1 (plastic) and QR2 (metal) can not be combined

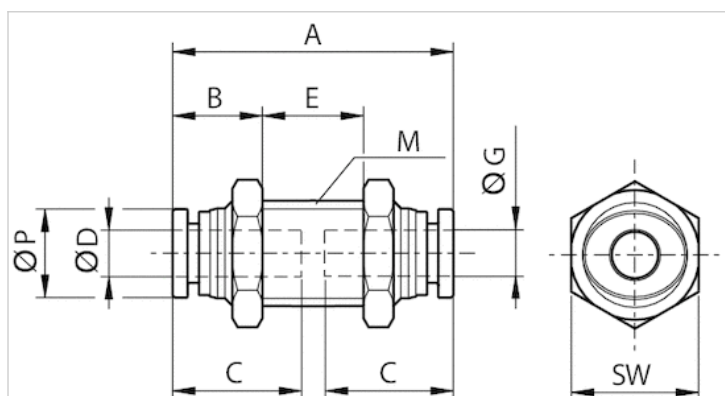
For further information about assembling and tolerances of adaptable tubing can be found in the "Technical information" document (available in the MediaCentre).

Technical information

Material	
Material	nickel-plated
Housing	Brass, nickel-plated
Seal	Acrylonitrile butadiene rubber
Tooth lock washer	Stainless steel
Release ring	Polyoxymethylene
Release ring holder	Die cast zinc Brass, nickel-plated
Thread	Brass, nickel-plated

Dimensions

Dimensions



Dimensions

Part No.	Port D	Port G	M	A	B	C	E 1)	Ø P	SW
2121404000	Ø 4	Ø 4	M12x1,0	33.4	10.2	16	13	10	14
2121406000	Ø 6	Ø 6	M14x1,0	35.9	10.7	17	14.5	12	17
2121408000	Ø 8	Ø 8	M16x1,0	38.5	12.3	18.5	13.9	14	19
2121410000	Ø 10	Ø 10	M20x1,0	43.5	13	21	17.5	17	24
2121412000	Ø 12	Ø 12	M22x1,0	46.2	12.6	22	21	20	26

QR1-S-RSC standard series

- Bulkhead plug connector, plastic
- push-in fitting
- Ø 4 Ø 6 Ø 8 Ø 10 Ø 12
- push-in fitting
- Ø 4 Ø 6 Ø 8 Ø 10 Ø 12
- QR1-S-RSC



Working pressure min./max.	-0.95 ... 10 bar
Ambient temperature min./max.	0 ... 60 °C
Weight per piece	See table below

Technical data

Part No.	Port G	Port D	Delivery unit	Weight per piece
R412005051	Ø 4	Ø 4	10 piece	0.007 kg
R412005052	Ø 6	Ø 6	10 piece	0.01 kg
R412005053	Ø 8	Ø 8	10 piece	0.014 kg
R412005054	Ø 10	Ø 10	10 piece	0.023 kg
R412005055	Ø 12	Ø 12	10 piece	0.031 kg

Technical information

The series QR1 (plastic) and QR2 (metal) can not be combined

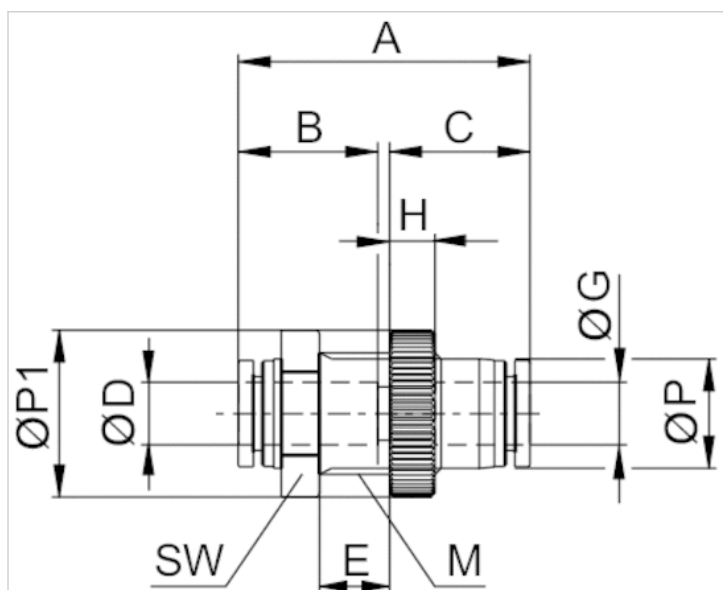
For further information about assembling and tolerances of adaptable tubing can be found in the "Technical information" document (available in the MediaCentre).

Technical information

Material	
Material	nickel-plated
Housing	Polybutyleneterephthalate
Seal	Acrylonitrile butadiene rubber
Tooth lock washer	Stainless steel
Release ring	Polyoxymethylene
Release ring holder	Die cast zinc Brass, nickel-plated

Dimensions

Dimensions



Dimensions

Part No.	Port D	Port G	M	A	B	C	E max.	H	Ø P	Ø P1	SW
R412005051	Ø 4	Ø 4	M12x1,5	32.2	15.6	16	7.8	5	10.4	16	14
R412005052	Ø 6	Ø 6	M14x1,5	36	17.2	17	9.2	5	12.4	18	17
R412005053	Ø 8	Ø 8	M16x1,5	38.5	18.4	18.5	9.2	6	14.4	22	19
R412005054	Ø 10	Ø 10	M20x2,0	43.6	21	21	10.8	6	17.6	28	24
R412005055	Ø 12	Ø 12	M24x2,0	47.6	22.5	22.5	16.2	6	21.2	31	27

QR1-S-RVK standard series

- Angled plug connector
- push-in fitting
- Ø 4 Ø 6 Ø 8 Ø 10 Ø 12 Ø 14 Ø 16
- push-in fitting
- Ø 4 Ø 6 Ø 8 Ø 10 Ø 12 Ø 14 Ø 16
- QR1-S-RVK



Working pressure min./max.	-0.95 ... 10 bar
Ambient temperature min./max.	0 ... 60 °C
Weight per piece	See table below

Technical data

Part No.	Port G	Port D	Delivery unit	Weight per piece
2121204000	Ø 4	Ø 4	10 piece	0.005 kg
2121206000	Ø 6	Ø 6	10 piece	0.006 kg
2121208000	Ø 8	Ø 8	10 piece	0.009 kg
2121210000	Ø 10	Ø 10	10 piece	0.015 kg
2121212000	Ø 12	Ø 12	10 piece	0.021 kg
2121214000	Ø 14	Ø 14	5 piece	0.037 kg
R412005033	Ø 16	Ø 16	5 piece	0.036 kg

Technical information

The series QR1 (plastic) and QR2 (metal) can not be combined

For further information about assembling and tolerances of adaptable tubing can be found in the "Technical information" document (available in the MediaCentre).

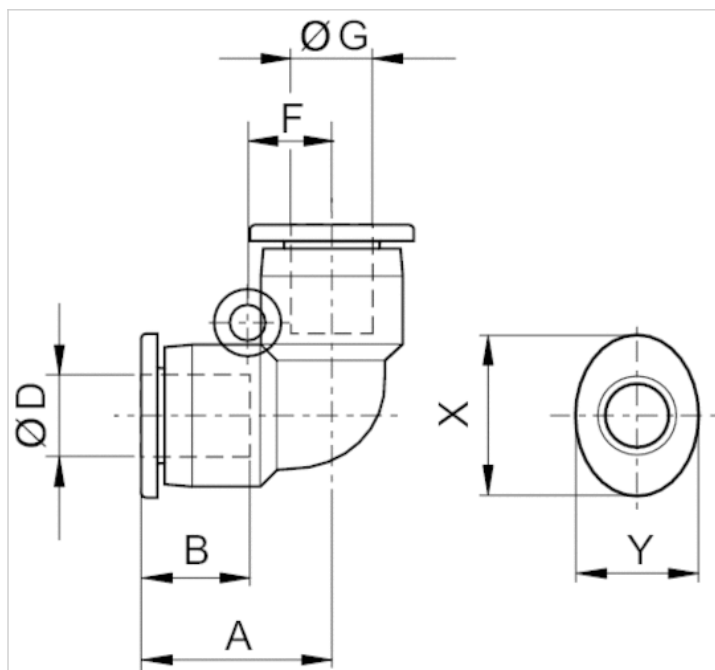
Technical information

Material	
Material	nickel-plated
Housing	Polybutyleneterephthalate
Seal	Acrylonitrile butadiene rubber
Tooth lock washer	Stainless steel
Release ring	Polyoxymethylene

Material	
Release ring holder	Die cast zinc Brass, nickel-plated

Dimensions

Dimensions



Dimensions

Part No.	Port D	Port G	Ø dx	A	B Insertion depth	F	X	Y
2121204000	Ø 4	Ø 4	2.2	18.7	16	6	12	10
2121206000	Ø 6	Ø 6	3.2	20.4	17	8	14	12
2121208000	Ø 8	Ø 8	4.2	22.8	18.5	10	16	14
2121210000	Ø 10	Ø 10	4.2	26.1	21	12	19	17
2121212000	Ø 12	Ø 12	4.2	29	22.5	14	23	21
2121214000	Ø 14	Ø 14	–	32.1	24.6	13.5	25	23
R412005033	Ø16	Ø16	5.3	31.1	24.8	16.3	27	24

QR1-S-RVS standard series

- Angled bulkhead connector
- push-in fitting
- Ø 4 Ø 6 Ø 8 Ø 10
- push-in fitting
- Ø 4 Ø 6 Ø 8 Ø 10
- QR1-S-RVS



Working pressure min./max.	-0.95 ... 10 bar
Ambient temperature min./max.	0 ... 60 °C
Weight per piece	See table below

Technical data

Part No.	Port G	Port D	Delivery unit	Weight per piece
R412005056	Ø 4	Ø 4	10 piece	0.011 kg
R412005057	Ø 6	Ø 6	10 piece	0.012 kg
R412005375	Ø 8	Ø 8	10 piece	0.018 kg
R412005376	Ø 10	Ø 10	10 piece	0.029 kg

Technical information

The series QR1 (plastic) and QR2 (metal) can not be combined

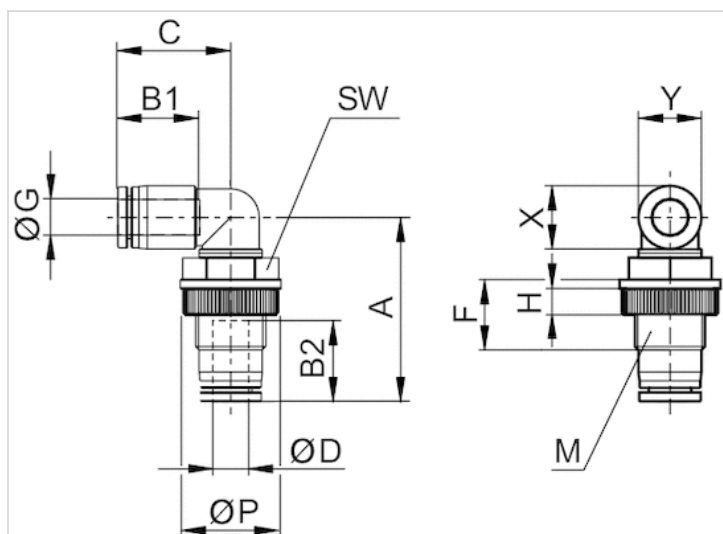
For further information about assembling and tolerances of adaptable tubing can be found in the "Technical information" document (available in the MediaCentre).

Technical information

Material	
Material	nickel-plated
Housing	Polybutyleneterephthalate
Seal	Acrylonitrile butadiene rubber
Tooth lock washer	Stainless steel
Release ring	Polyoxymethylene
Release ring holder	Die cast zinc Brass, nickel-plated

Dimensions

Dimensions



Dimensions

Part No.	Port D	Port G	M	A	B1	B2	C	F	H	P	SW	X	Y
R412005056	Ø 4	Ø 4	M12x1,5	33.6	15.6	16	19.8	16.6	5	17	14	12	10
R412005057	Ø 6	Ø 6	M14x1,5	37.9	23	17	17.2	15	5	20.5	17	14	12
R412005375	Ø 8	Ø 8	M16x1,5	41.9	18.6	18.5	25.7	16	6	23	19	16	14
R412005376	Ø 10	Ø 10	M20x2,0	47.6	21.4	21	30.3	18	6	29	24	19	17

QR1-S-RMT standard series

- Plug connector, 3x, reducing
- push-in fitting
- Ø 6 Ø 8 Ø 10
- push-in fitting
- Ø 4 Ø 6 Ø 8
- QR1-S-RMT



Working pressure min./max.	-0.95 ... 10 bar
Ambient temperature min./max.	0 ... 60 °C
Weight per piece	See table below

Technical data

Part No.	Port G	Port D	Delivery unit	Weight per piece
R412005346	Ø 6	Ø 4	10 piece	0.014 kg
R412005347	Ø 8	Ø 4	10 piece	0.017 kg
R412005348	Ø 8	Ø 6	10 piece	0.019 kg
R412005349	Ø 10	Ø 6	10 piece	0.028 kg
R412005350	Ø 10	Ø 8	10 piece	0.031 kg

Technical information

The series QR1 (plastic) and QR2 (metal) can not be combined

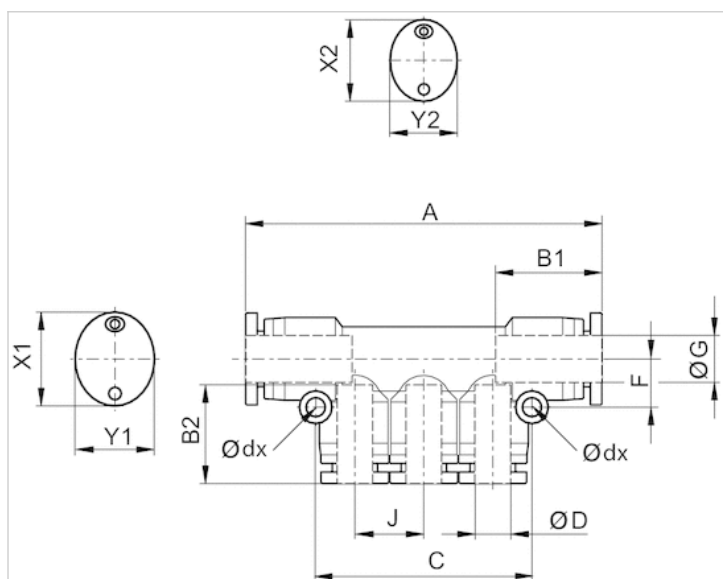
For further information about assembling and tolerances of adaptable tubing can be found in the "Technical information" document (available in the MediaCentre).

Technical information

Material	
Material	nickel-plated
Housing	Polybutyleneterephthalate
Seal	Acrylonitrile butadiene rubber
Tooth lock washer	Stainless steel
Release ring	Polyoxymethylene
Release ring holder	Die cast zinc Brass, nickel-plated

Dimensions

Dimensions



Dimensions

Part No.	Port D	Port G	Ødx	A	B1	B2	C	J	F	X1	X2	Y1	Y2
R412005346	Ø 4	Ø 6	3.2	59.4	17	16	34	10	8	14	12	12	10
R412005347	Ø 4	Ø 8	3.2	61.8	18.5	16	34	10	9	16	12	14	10
R412005348	Ø 6	Ø 8	3.2	61.8	18.5	17	40	12	9	16	14	14	12
R412005349	Ø 6	Ø 10	4.2	85.4	21	17	42	12	10.5	19	14	17	12
R412005350	Ø 8	Ø 10	4.2	85.4	21	18.5	48	14	10.5	19	16	17	14

QR1-S-RTK standard series

- T-plug connector
- push-in fitting
- Ø 4 Ø 6 Ø 8 Ø 10 Ø 12 Ø 14 Ø 16
- push-in fitting
- Ø 4 Ø 6 Ø 8 Ø 10 Ø 12 Ø 14 Ø 16
- QR1-S-RTK



Working pressure min./max.	-0.95 ... 10 bar
Ambient temperature min./max.	0 ... 60 °C
Weight per piece	See table below

Technical data

Part No.	Port G	Port D	Delivery unit	Weight per piece
2121104000	Ø 4	Ø 4	10 piece	0.007 kg
2121106000	Ø 6	Ø 6	10 piece	0.009 kg
2121108000	Ø 8	Ø 8	10 piece	0.013 kg
2121110000	Ø 10	Ø 10	10 piece	0.022 kg
2121112000	Ø 12	Ø 12	10 piece	0.031 kg
2121114000	Ø 14	Ø 14	5 piece	0.041 kg
R412005025	Ø 16	Ø 16	5 piece	0.052 kg

Technical information

The series QR1 (plastic) and QR2 (metal) can not be combined

For further information about assembling and tolerances of adaptable tubing can be found in the "Technical information" document (available in the MediaCentre).

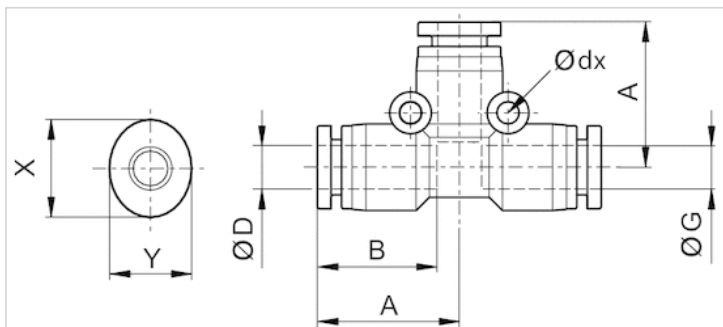
Technical information

Material	
Material	nickel-plated
Housing	Polybutyleneterephthalate
Seal	Acrylonitrile butadiene rubber
Tooth lock washer	Stainless steel
Release ring	Polyoxymethylene

Material	
Release ring holder	Die cast zinc Brass, nickel-plated

Dimensions

Dimensions



Dimensions

Part No.	Port D	Port G	Ø dx	A	B	X	Y
2121104000	Ø 4	Ø 4	2.2	18.1	15.6	12	10
2121106000	Ø 6	Ø 6	3.2	20.4	17.2	14	12
2121108000	Ø 8	Ø 8	4.2	22.7	18.4	16	14
2121110000	Ø 10	Ø 10	4.2	26.1	21	19	17
2121112000	Ø 12	Ø 12	5.2	29.3	22.2	23	21
2121114000	Ø 14	Ø 14	4.2	31.7	24.3	25	23
R412005025	Ø16	Ø16	4.2	33.3	25.8	27	24

QR1-S-RTR standard series

- T-plug connector, reducing
- push-in fitting
- Ø 6 Ø 8 Ø 10 Ø 12
- push-in fitting
- Ø 4 Ø 6 Ø 8 Ø 10
- QR1-S-RTR



Working pressure min./max.	-0.95 ... 10 bar
Ambient temperature min./max.	0 ... 60 °C
Weight per piece	See table below

Technical data

Part No.	Port G	Port D	Delivery unit	Weight per piece
R412005026	Ø 6	Ø 4	10 piece	0.009 kg
R412005027	Ø 8	Ø 4	10 piece	0.015 kg
R412005028	Ø 8	Ø 6	10 piece	0.012 kg
R412005029	Ø 10	Ø 6	10 piece	0.024 kg
R412005030	Ø 10	Ø 8	10 piece	0.02 kg
R412005031	Ø 12	Ø 8	10 piece	0.034 kg
R412005032	Ø 12	Ø 10	10 piece	0.028 kg

Technical information

The series QR1 (plastic) and QR2 (metal) can not be combined

For further information about assembling and tolerances of adaptable tubing can be found in the "Technical information" document (available in the MediaCentre).

Technical information

Material	
Material	nickel-plated
Housing	Polybutyleneterephthalate
Seal	Acrylonitrile butadiene rubber
Tooth lock washer	Stainless steel
Release ring	Polyoxymethylene

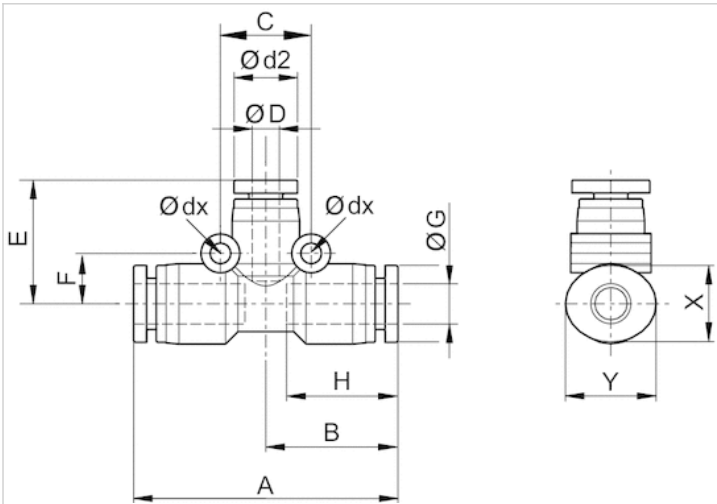
Material

Release ring holder

Die cast zinc Brass, nickel-plated

Dimensions

Dimensions



Dimensions

Part No.	Port D	Port G	Ø dx	d2	A	B	C	E	F	H	X	Y
R412005026	Ø 4	Ø 6	3.2	10.4	40.8	20.4	14	19.1	7.8	17	14	12
R412005027	Ø 4	Ø 8	4.2	12.4	45.4	22.7	16.4	21	8.6	18.5	16	12
R412005028	Ø 6	Ø 8	4.2	12.4	45.4	22.7	16.4	21.7	8.6	18.5	16	14
R412005029	Ø 6	Ø 10	4.2	14.4	52.2	26.1	18.8	23.7	10.8	21	19	14
R412005030	Ø 8	Ø 10	4.2	14.4	52.2	26.1	18.8	23.4	10.8	21	19	17
R412005031	Ø 8	Ø 12	4.2	17.4	58.6	29.3	23	26	13	22.5	23	17
R412005032	Ø 10	Ø 12	4.2	17.4	58.6	29.3	23	27.1	13	22.5	23	21

QR1-S-RYK standard series

- Y - Plug connection
- push-in fitting
- Ø 4 Ø 6 Ø 8 Ø 10 Ø 12
- push-in fitting
- Ø 4 Ø 6 Ø 8 Ø 10 Ø 12
- QR1-S-RYK



Working pressure min./max.	-0.95 ... 10 bar
Ambient temperature min./max.	0 ... 60 °C
Weight per piece	See table below

Technical data

Part No.	Port G	Port D	Delivery unit	Weight per piece
2121804000	Ø 4	Ø 4	10 piece	0.007 kg
2121806000	Ø 6	Ø 6	10 piece	0.009 kg
2121808000	Ø 8	Ø 8	10 piece	0.013 kg
2121810000	Ø 10	Ø 10	10 piece	0.023 kg
2121812000	Ø 12	Ø 12	10 piece	0.03 kg

Technical information

The series QR1 (plastic) and QR2 (metal) can not be combined

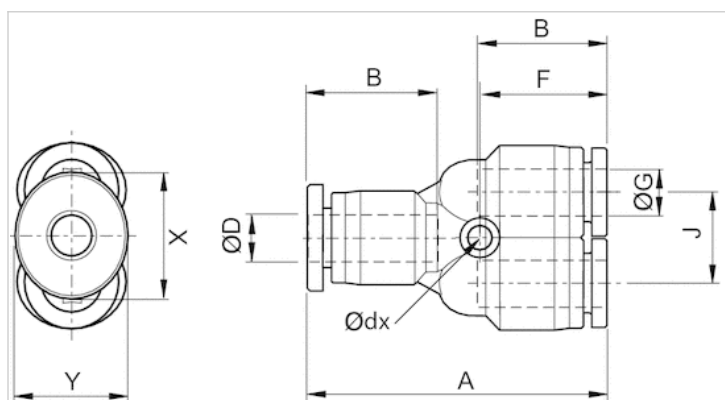
For further information about assembling and tolerances of adaptable tubing can be found in the "Technical information" document (available in the MediaCentre).

Technical information

Material	
Material	nickel-plated
Housing	Polybutyleneterephthalate
Seal	Acrylonitrile butadiene rubber
Tooth lock washer	Stainless steel
Release ring	Polyoxymethylene
Release ring holder	Die cast zinc Brass, nickel-plated

Dimensions

Dimensions



Dimensions

Part No.	Port D	Port G	Ø dx	A	B	J	F	X	Y
2121804000	Ø 4	Ø 4	2.2	35.9	16	9.6	15.2	12	10
2121806000	Ø 6	Ø 6	3.2	39.4	17	12	17	14	12
2121808000	Ø 8	Ø 8	3.2	43.5	18.5	14	17.3	16	14
2121810000	Ø 10	Ø 10	4.2	50	21	18	21.5	19	17
2121812000	Ø 12	Ø 12	4.2	53	22.5	20.8	21	23	21

QR1-S-RYR standard series

- Y-Plug connector, reducing
- push-in fitting
- Ø 6 Ø 8 Ø 10 Ø 12
- push-in fitting
- Ø 4 Ø 6 Ø 8 Ø 10
- QR1-S-RYR



Working pressure min./max.	-0.95 ... 10 bar
Ambient temperature min./max.	0 ... 60 °C
Weight per piece	See table below

Technical data

Part No.	Port G	Port D	Delivery unit	Weight per piece
2121806040	Ø 6	Ø 4	10 piece	0.008 kg
R412005081	Ø 8	Ø 4	10 piece	0.014 kg
2121808060	Ø 8	Ø 6	10 piece	0.01 kg
2121810080	Ø 10	Ø 8	10 piece	0.016 kg
R412005082	Ø 10	Ø 6	10 piece	0.023 kg
R412005080	Ø 12	Ø 10	10 piece	0.026 kg
R412005083	Ø 12	Ø 8	10 piece	0.033 kg

Technical information

The series QR1 (plastic) and QR2 (metal) can not be combined

For further information about assembling and tolerances of adaptable tubing can be found in the "Technical information" document (available in the MediaCentre).

Technical information

Material	
Material	nickel-plated
Housing	Polybutyleneterephthalate
Seal	Acrylonitrile butadiene rubber
Tooth lock washer	Stainless steel
Release ring	Polyoxymethylene

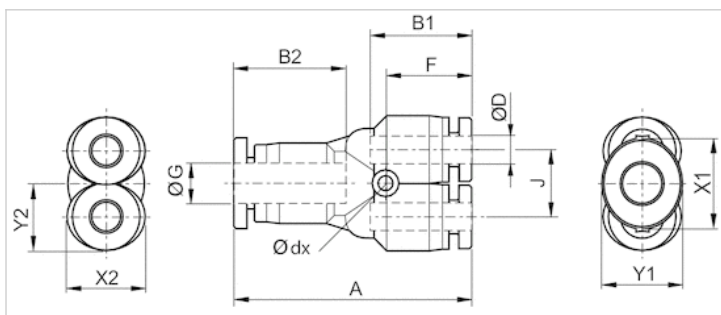
Material

Release ring holder

Die cast zinc Brass, nickel-plated

Dimensions

Dimensions



Dimensions

Part No.	Port D	Port G	Ø dx	A	B1	B2	J	F	X1	X2	Y1	Y2
2121806040	Ø 4	Ø 6	2.2	36.9	16	17	9.3	15.2	14	12	12	10
R412005081	Ø 4	Ø 8	3.2	40.7	17	18.5	12	16.2	16	12	14	10
2121808060	Ø 6	Ø 8	3.2	40.7	17	18.5	12	16.9	16	14	14	12
2121810080	Ø 8	Ø 10	4.2	49.5	18.5	21	14	20	19	16	17	14
R412005082	Ø 6	Ø 10	4.2	49.5	18.5	21	14	19.4	19	14	17	12
R412005080	Ø 10	Ø 12	4.2	53.5	21	22.5	16	21.5	23	19	21	17
R412005083	Ø 8	Ø 12	4.2	53.5	21	22.5	16	20.2	23	16	17	14

QR1-S-RYD standard series

- Y-Plug connector, reducing, double
- push-in fitting
- Ø 6 Ø 8
- push-in fitting
- Ø 4 Ø 6
- QR1-S-RYD



Working pressure min./max.	-0.95 ... 10 bar
Ambient temperature min./max.	0 ... 60 °C
Weight per piece	See table below

Technical data

Part No.	Port G	Port D	Delivery unit	Weight per piece
R412005344	Ø 6	Ø 4	10 piece	0.013 kg
R412005345	Ø 8	Ø 6	10 piece	0.018 kg

Technical information

The series QR1 (plastic) and QR2 (metal) can not be combined

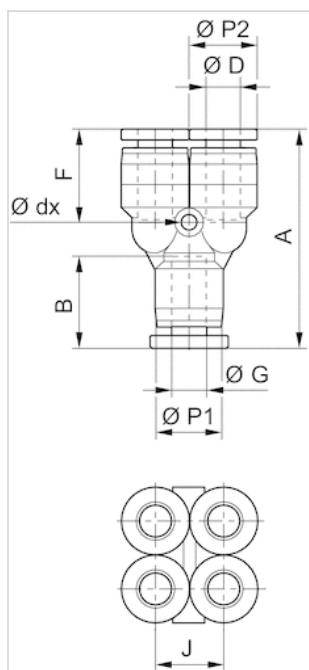
For further information about assembling and tolerances of adaptable tubing can be found in the "Technical information" document (available in the MediaCentre).

Technical information

Material	
Material	nickel-plated
Housing	Polybutyleneterephthalate
Seal	Acrylonitrile butadiene rubber
Tooth lock washer	Stainless steel
Release ring	Polyoxymethylene
Release ring holder	Die cast zinc Brass, nickel-plated

Dimensions

Dimensions



Dimensions

Part No.	Port D	Port G	$\varnothing dx$	A	B	F	J	$\varnothing P1$	$\varnothing P2$
R412005344	$\varnothing 4$	$\varnothing 6$	3.2	37.2	17	14.2	10.4	13	10.4
R412005345	$\varnothing 6$	$\varnothing 8$	3.5	40.6	18.5	16.9	13	14.4	13

QR1-S-RXS standard series

- X-Plug connection
- push-in fitting
- Ø 4 Ø 6 Ø 8 Ø 10
- push-in fitting
- Ø 4 Ø 6 Ø 8 Ø 10
- QR1-S-RXS



Working pressure min./max.	-0.95 ... 10 bar
Ambient temperature min./max.	0 ... 60 °C
Weight per piece	See table below

Technical data

Part No.	Port G	Port D	Delivery unit	Weight per piece
R412005361	Ø 4	Ø 4	10 piece	0.009 kg
R412005362	Ø 6	Ø 6	10 piece	0.012 kg
R412005363	Ø 8	Ø 8	10 piece	0.016 kg
R412005364	Ø 10	Ø 10	10 piece	0.029 kg

Technical information

The series QR1 (plastic) and QR2 (metal) can not be combined

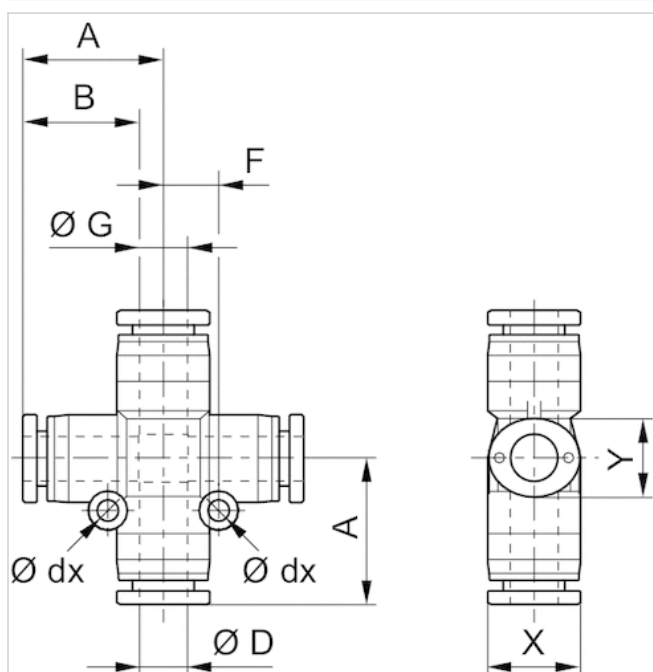
For further information about assembling and tolerances of adaptable tubing can be found in the "Technical information" document (available in the MediaCentre).

Technical information

Material	
Material	nickel-plated
Housing	Polybutyleneterephthalate
Seal	Acrylonitrile butadiene rubber
Tooth lock washer	Stainless steel
Release ring	Polyoxymethylene
Release ring holder	Die cast zinc Brass, nickel-plated

Dimensions

Dimensions



Dimensions

Part No.	Port D	Port G	Ø dx	A	B	F	X	Y
R412005361	Ø 4	Ø 4	2.2	18.7	16	6	12	10
R412005362	Ø 6	Ø 6	3.2	20.4	17	8	14	12
R412005363	Ø 8	Ø 8	4.2	22.8	18.5	9	16	14
R412005364	Ø 10	Ø 10	4.2	26.1	21	12	19	17

QR1-S-RED standard series

- Straight push-in fitting, reducing
- push-in fitting
- Ø 4 Ø 6 Ø 8 Ø 10 Ø 12
- pin bushing
- Ø 6 Ø 8 Ø 10 Ø 12 Ø 14
- QR1-S-RED



Working pressure min./max.	-0.95 ... 10 bar
Ambient temperature min./max.	0 ... 60 °C
Weight per piece	See table below

Technical data

Part No.	Port G	Port D	Delivery unit	Weight per piece
2121706040	Ø 4	Ø 6	10 piece	0.003 kg
2121708040	Ø 4	Ø 8	10 piece	0.004 kg
2121708060	Ø 6	Ø 8	10 piece	0.004 kg
2121710040	Ø 4	Ø 10	10 piece	0.004 kg
2121710060	Ø 6	Ø 10	10 piece	0.005 kg
2121710080	Ø 8	Ø 10	10 piece	0.006 kg
2121712060	Ø 6	Ø 12	10 piece	0.006 kg
2121712080	Ø 8	Ø 12	10 piece	0.007 kg
2121712100	Ø 10	Ø 12	10 piece	0.01 kg
2121714080	Ø 8	Ø 14	10 piece	0.008 kg
2121714100	Ø 10	Ø 14	10 piece	0.013 kg
2121714120	Ø 12	Ø 14	10 piece	0.015 kg

Technical information

The series QR1 (plastic) and QR2 (metal) can not be combined

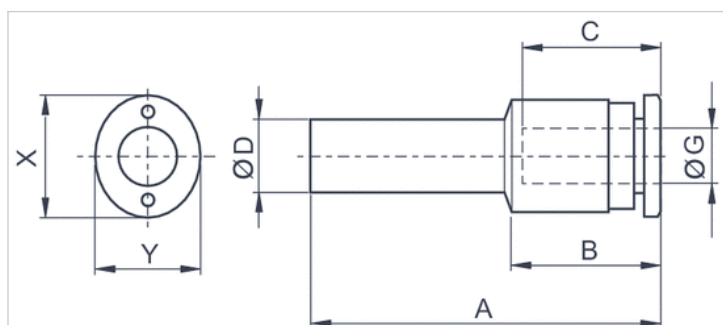
For further information about assembling and tolerances of adaptable tubing can be found in the "Technical information" document (available in the MediaCentre).

Technical information

Material	
Material	nickel-plated
Housing	Polybutyleneterephthalate
Seal	Acrylonitrile butadiene rubber
Tooth lock washer	Stainless steel
Release ring	Polyoxymethylene
Release ring holder	Die cast zinc Brass, nickel-plated

Dimensions

Dimensions



Dimensions

Part No.	Port D	Port G	A	B	C Insertion depth	X	Y
2121706040	Ø 6	Ø 4	40.6	18.2	16	12	10
2121708040	Ø 8	Ø 4	42.6	18.2	16	12	10
2121708060	Ø 8	Ø 6	43.3	19.2	17	14	12
2121710040	Ø 10	Ø 4	41.3	17.6	16	12	10
2121710060	Ø 10	Ø 6	45.3	19.2	17	14	12
2121710080	Ø 10	Ø 8	47.4	20.5	18.5	16	14
2121712060	Ø 12	Ø 6	48.2	19.2	17	14	12
2121712080	Ø 12	Ø 8	49.4	20.5	18.5	16	14
2121712100	Ø 12	Ø 10	52	23	21	19	17
2121714080	Ø 14	Ø 8	55.4	20.4	18.5	16	14
2121714100	Ø 14	Ø 10	58	23	21	19	17
2121714120	Ø 14	Ø 12	60.3	25.3	22.5	23	21

QR1-S-RVA standard series

- Angled plug-in connector
- pin bushing
- Ø 4 Ø 6 Ø 8 Ø 10 Ø 12
- push-in fitting
- Ø 4 Ø 6 Ø 8 Ø 10 Ø 12
- QR1-S-RVA



Working pressure min./max.	-0.95 ... 10 bar
Ambient temperature min./max.	0 ... 60 °C
Weight per piece	See table below

Technical data

Part No.	Port G	Port D	Delivery unit	Weight per piece
2121304040	Ø 4	Ø 4	10 piece	0.005 kg
2121306060	Ø 6	Ø 6	10 piece	0.005 kg
2121308080	Ø 8	Ø 8	10 piece	0.008 kg
2121310100	Ø 10	Ø 10	10 piece	0.015 kg
R412005036	Ø 12	Ø 12	10 piece	0.021 kg

Technical information

The series QR1 (plastic) and QR2 (metal) can not be combined

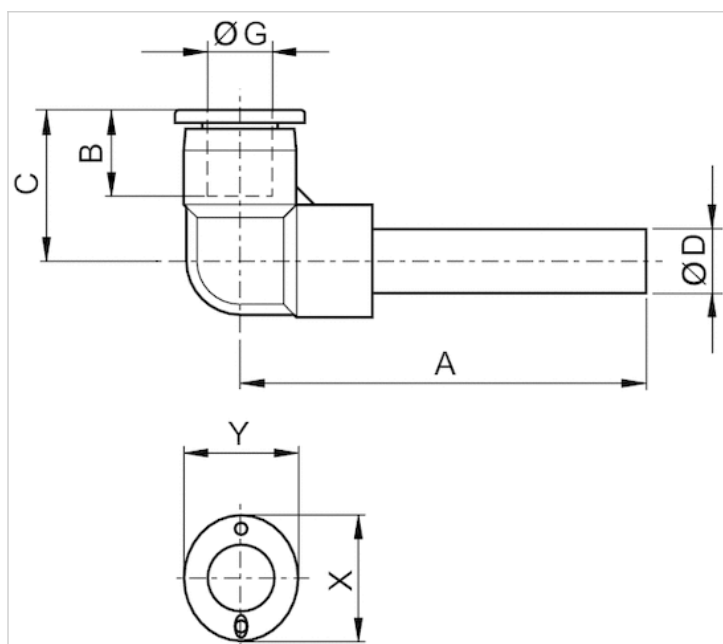
For further information about assembling and tolerances of adaptable tubing can be found in the "Technical information" document (available in the MediaCentre).

Technical information

Material	
Material	nickel-plated
Housing	Polybutyleneterephthalate
Seal	Acrylonitrile butadiene rubber
Tooth lock washer	Stainless steel
Release ring	Polyoxymethylene
Release ring holder	Die cast zinc Brass, nickel-plated

Dimensions

Dimensions



Dimensions

Part No.	Port D	Port G	A	B Insertion depth	C	X	Y
2121304040	$\varnothing 4$	$\varnothing 4$	32.6	16	18.7	12	10
2121306060	$\varnothing 6$	$\varnothing 6$	37	17	21.1	14	12
2121308080	$\varnothing 8$	$\varnothing 8$	42	18.5	22.8	16	14
2121310100	$\varnothing 10$	$\varnothing 10$	48	21	26.1	19	17
R412005036	$\varnothing 12$	$\varnothing 12$	53.9	22.5	24.3	23	21

QR1-S-RLL standard series

- Angled plug-in connector
- Pin bushing, long
- Ø 4 Ø 6 Ø 8 Ø 10 Ø 12
- push-in fitting
- Ø 4 Ø 6 Ø 8 Ø 10 Ø 12
- QR1-S-RLL



Working pressure min./max.	-0.95 ... 10 bar
Ambient temperature min./max.	0 ... 60 °C
Weight per piece	See table below

Technical data

Part No.	Port G	Port D	Delivery unit	Weight per piece
R412005039	Ø 4	Ø 4	10 piece	0.004 kg
R412005040	Ø 6	Ø 6	10 piece	0.006 kg
R412005041	Ø 8	Ø 8	10 piece	0.008 kg
R412005042	Ø 10	Ø 10	10 piece	0.014 kg
R412005043	Ø 12	Ø 12	10 piece	0.019 kg

Technical information

The series QR1 (plastic) and QR2 (metal) can not be combined

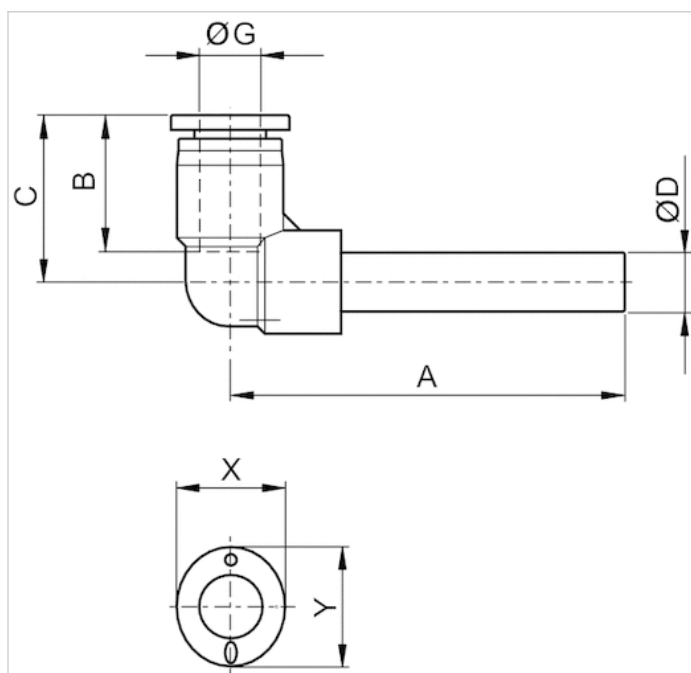
For further information about assembling and tolerances of adaptable tubing can be found in the "Technical information" document (available in the MediaCentre).

Technical information

Material	
Material	nickel-plated
Housing	Polybutyleneterephthalate
Seal	Acrylonitrile butadiene rubber
Tooth lock washer	Stainless steel
Release ring	Polyoxymethylene
Release ring holder	Die cast zinc Brass, nickel-plated

Dimensions

Dimensions



Dimensions

Part No.	Port D	Port G	A	B	C	X	Y
R412005039	$\varnothing 4$	$\varnothing 4$	43.6	16	18.7	12	10
R412005040	$\varnothing 6$	$\varnothing 6$	47.5	17	21.1	14	12
R412005041	$\varnothing 8$	$\varnothing 8$	54.5	18.5	22.8	16	14
R412005042	$\varnothing 10$	$\varnothing 10$	62	21	26.1	19	17
R412005043	$\varnothing 12$	$\varnothing 12$	69.9	22.5	29.3	23	21

QR1-S-RVR standard series

- Angled plug-in connector
- Push-in fitting, reducing
- Ø 4 Ø 6 Ø 8
- pin bushing
- Ø 6 Ø 8 Ø 10
- QR1-S-RVR



Working pressure min./max.	-0.95 ... 10 bar
Ambient temperature min./max.	0 ... 60 °C
Weight per piece	See table below

Technical data

Part No.	Port G	Port D	Delivery unit	Weight per piece
2121304060	Ø 4	Ø 6	10 piece	0.005 kg
2121306080	Ø 6	Ø 8	10 piece	0.007 kg
R412005034	Ø 8	Ø 10	10 piece	0.011 kg

Technical information

The series QR1 (plastic) and QR2 (metal) can not be combined

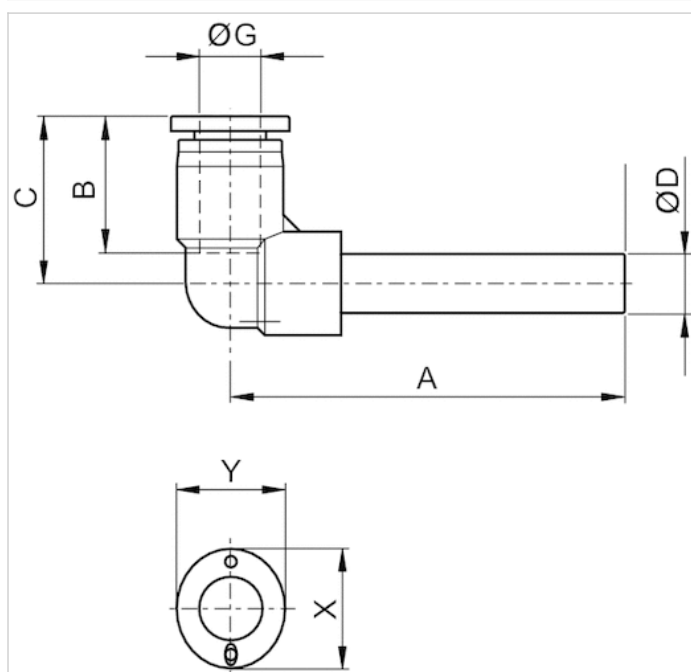
For further information about assembling and tolerances of adaptable tubing can be found in the "Technical information" document (available in the MediaCentre).

Technical information

Material	
Material	nickel-plated
Housing	Polybutyleneterephthalate
Seal	Acrylonitrile butadiene rubber
Tooth lock washer	Stainless steel
Release ring	Polyoxymethylene
Release ring holder	Die cast zinc Brass, nickel-plated

Dimensions

Dimensions



Dimensions

Part No.	Port D	Port G	A	B	C	X	Y
2121304060	Ø 6	Ø 4	33.3	17	18.7	12	10
2121306080	Ø 8	Ø 6	41.3	18.5	21.1	14	12
R412005034	Ø 10	Ø 8	43.6	21	22.8	16	14

QR1-S-RTC standard series

- T-push-in fitting
- pin bushing
- Ø 6 Ø 8 Ø 12
- push-in fitting
- Ø 6 Ø 8 Ø 12
- QR1-S-RTC



Working pressure min./max.	-0.95 ... 10 bar
Ambient temperature min./max.	0 ... 60 °C
Weight per piece	See table below

Technical data

Part No.	Port G	Port D	Delivery unit	Weight per piece
2122706000	Ø 6	Ø 6	10 piece	0.008 kg
2122708000	Ø 8	Ø 8	10 piece	0.013 kg
R412010596	Ø 12	Ø 12	10 piece	0.032 kg

Technical information

The series QR1 (plastic) and QR2 (metal) can not be combined

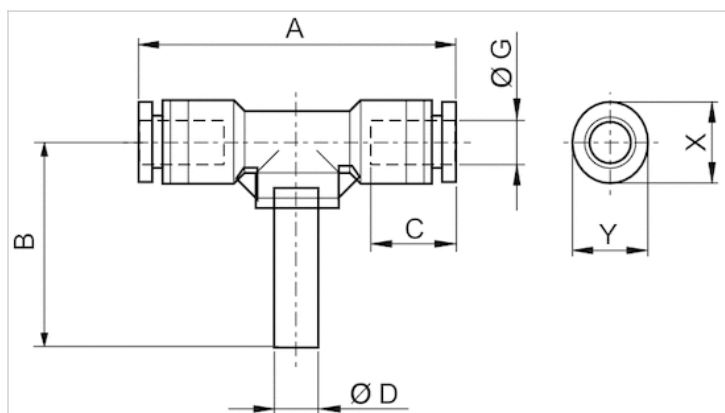
For further information about assembling and tolerances of adaptable tubing can be found in the "Technical information" document (available in the MediaCentre).

Technical information

Material	
Material	nickel-plated
Housing	Polybutyleneterephthalate
Seal	Acrylonitrile butadiene rubber
Tooth lock washer	Stainless steel
Release ring	Polyoxymethylene
Release ring holder	Die cast zinc Brass, nickel-plated

Dimensions

Dimensions



Dimensions

Part No.	Port D	Port G	A	B	C	X	Y
2122706000	Ø 6	Ø 6	40.6	42.6	17	14	12
2122708000	Ø 8	Ø 8	45.7	45.2	18.5	16	14
R412010596	Ø 12	Ø 12	58	53	22.5	23	21

QR1-S-RY2 standard series

- Y - Push-in fitting
- pin bushing
- Ø 4 Ø 6 Ø 8 Ø 10 Ø 12
- push-in fitting
- Ø 4 Ø 6 Ø 8 Ø 10 Ø 12
- QR1-S-RY2



Working pressure min./max.	-0.95 ... 10 bar
Ambient temperature min./max.	0 ... 60 °C
Weight per piece	See table below

Technical data

Part No.	Port G	Port D	Delivery unit	Weight per piece
R412005332	Ø 4	Ø 4	10 piece	0.007 kg
R412005333	Ø 6	Ø 6	10 piece	0.008 kg
R412005334	Ø 8	Ø 8	10 piece	0.012 kg
R412005335	Ø 10	Ø 10	10 piece	0.023 kg
R412005336	Ø 12	Ø 12	10 piece	0.031 kg

Technical information

The series QR1 (plastic) and QR2 (metal) can not be combined

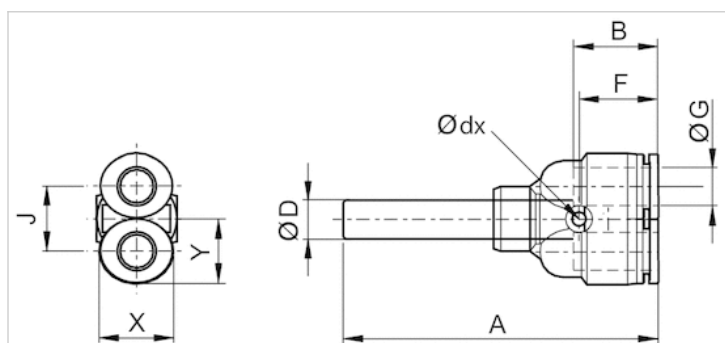
For further information about assembling and tolerances of adaptable tubing can be found in the "Technical information" document (available in the MediaCentre).

Technical information

Material	
Material	nickel-plated
Housing	Polybutyleneterephthalate
Seal	Acrylonitrile butadiene rubber
Tooth lock washer	Stainless steel
Release ring	Polyoxymethylene
Release ring holder	Die cast zinc Brass, nickel-plated

Dimensions

Dimensions



Dimensions

Part No.	Port D	Port G	Ø dx	A	B	J	F	X	Y
R412005332	Ø 4	Ø 4	2.2	48.8	16	9.6	15.2	12	10
R412005333	Ø 6	Ø 6	3.2	54.7	17	12	16.9	14	12
R412005334	Ø 8	Ø 8	3.2	62.7	18.5	14	20.2	16	14
R412005335	Ø 10	Ø 10	4.2	71.2	21	18	21.5	19	17
R412005336	Ø 12	Ø 12	4.2	77.7	22.5	20.8	21.5	23	21

QR1-S-R2R standard series

- Y-Push-in fitting, reducing
- push-in fitting
- Ø 4 Ø 6 Ø 8 Ø 10
- pin bushing
- Ø 6 Ø 8 Ø 10 Ø 12
- QR1-S-R2R



Working pressure min./max.	-0.95 ... 10 bar
Ambient temperature min./max.	0 ... 60 °C
Weight per piece	See table below

Technical data

Part No.	Port G	Port D	Delivery unit	Weight per piece
R412005337	Ø 4	Ø 6	10 piece	0.007 kg
R412005338	Ø 6	Ø 8	10 piece	0.009 kg
R412005339	Ø 8	Ø 10	10 piece	0.013 kg
R412005340	Ø 10	Ø 12	10 piece	0.024 kg

Technical information

The series QR1 (plastic) and QR2 (metal) can not be combined

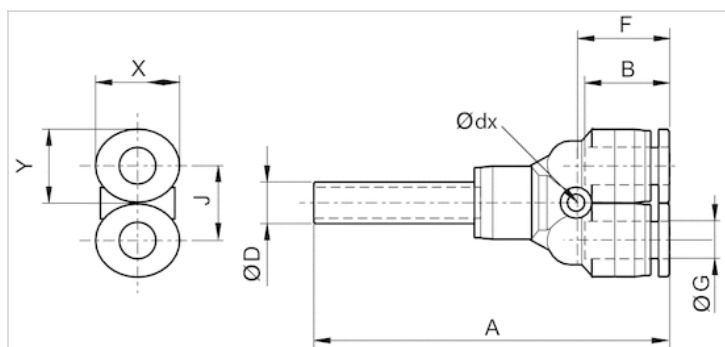
For further information about assembling and tolerances of adaptable tubing can be found in the "Technical information" document (available in the MediaCentre).

Technical information

Material	
Material	nickel-plated
Housing	Polybutyleneterephthalate
Seal	Acrylonitrile butadiene rubber
Tooth lock washer	Stainless steel
Release ring	Polyoxymethylene
Release ring holder	Die cast zinc Brass, nickel-plated

Dimensions

Dimensions



Dimensions

Part No.	Port D	Port G	Ø dx	A	B	J	F	X	Y
R412005337	Ø 6	Ø 4	2.2	55.2	17	9.6	14	12	10
R412005338	Ø 8	Ø 6	3.2	58.7	18.5	12	16.9	14	12
R412005339	Ø 10	Ø 8	3.2	64.7	21	14	17.2	16	14
R412005340	Ø 12	Ø 10	4.2	75.2	22.5	18	21.6	19	17

QR1-S-RY4 standard series

- Y-Push-in fitting, reducing
- pin bushing
- Ø 4 Ø 5
- push-in fitting
- Ø 6 Ø 4
- QR1-S-RY4



Working pressure min./max.	-0.95 ... 10 bar
Ambient temperature min./max.	0 ... 60 °C
Weight per piece	See table below

Technical data

Part No.	Port G	Port D	Delivery unit	Weight per piece
R412005341	Ø 4	Ø 6	10 piece	0.013 kg
R412005342	Ø 5	Ø 4	10 piece	0.014 kg

Technical information

The series QR1 (plastic) and QR2 (metal) can not be combined

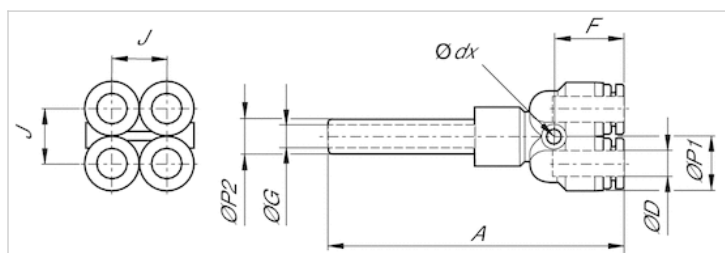
For further information about assembling and tolerances of adaptable tubing can be found in the "Technical information" document (available in the MediaCentre).

Technical information

Material	
Material	nickel-plated
Housing	Polybutyleneterephthalate
Seal	Acrylonitrile butadiene rubber
Tooth lock washer	Stainless steel
Release ring	Polyoxymethylene
Release ring holder	Die cast zinc Brass, nickel-plated

Dimensions

Dimensions



Dimensions

Part No.	Port D	Port G	Ødx	A	B	F	J	ØP1	ØP2
R412005341	Ø 6	Ø 4	3.2	55.2	16	14.2	10.4	10.4	13
R412005342	Ø 4	Ø 5	3.3	60	16	14.7	10.4	10.8	8

QR1-S-RCA standard series

- Sealing cap
- push-in fitting
- Ø 4 Ø 6 Ø 8 Ø 10 Ø 12
- QR1-S-RCA



Working pressure min./max.	-0.95 ... 10 bar
Ambient temperature min./max.	0 ... 60 °C
Weight per piece	See table below

Technical data

Part No.	Port G	Delivery unit	Weight per piece
R412005111	Ø 4	20 piece	0.002 kg
R412005112	Ø 6	20 piece	0.003 kg
R412005113	Ø 8	20 piece	0.004 kg
R412005114	Ø 10	20 piece	0.007 kg
R412005115	Ø 12	20 piece	0.01 kg

Technical information

The series QR1 (plastic) and QR2 (metal) can not be combined

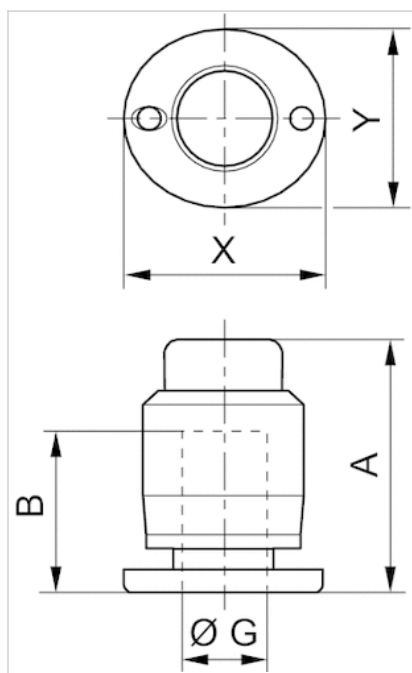
For further information about assembling and tolerances of adaptable tubing can be found in the "Technical information" document (available in the MediaCentre).

Technical information

Material	
Material	nickel-plated
Housing	Polybutyleneterephthalate
Seal	Acrylonitrile butadiene rubber
Tooth lock washer	Stainless steel
Release ring	Polyoxymethylene
Release ring holder	Die cast zinc Brass, nickel-plated

Dimensions

Dimensions



Dimensions

Part No.	Port G	A	B	X	Y
R412005111	Ø 4	17.7	16	12	10
R412005112	Ø 6	18.7	17	14	12
R412005113	Ø 8	20.5	18.5	16	14
R412005114	Ø 10	23.5	21	19	17
R412005115	Ø 12	25.5	22.5	23	21

QR1-S-RBS standard series

- Blanking plug
- pin bushing
- Ø 4 Ø 6 Ø 8 Ø 10 Ø 12 Ø 14 Ø 16
- QR1-S-RBS



Working pressure min./max.	-0.95 ... 10 bar
Ambient temperature min./max.	0 ... 60 °C
Weight per piece	See table below

Technical data

Part No.	Port G	Delivery unit	Weight per piece
2123204000	Ø 4	20 piece	0.001 kg
2123206000	Ø 6	20 piece	0.001 kg
2123208000	Ø 8	20 piece	0.001 kg
2123210000	Ø 10	20 piece	0.002 kg
2123212000	Ø 12	20 piece	0.004 kg
2123214000	Ø 14	10 piece	0.005 kg
R412005331	Ø 16	10 piece	0.004 kg

Technical information

The series QR1 (plastic) and QR2 (metal) can not be combined

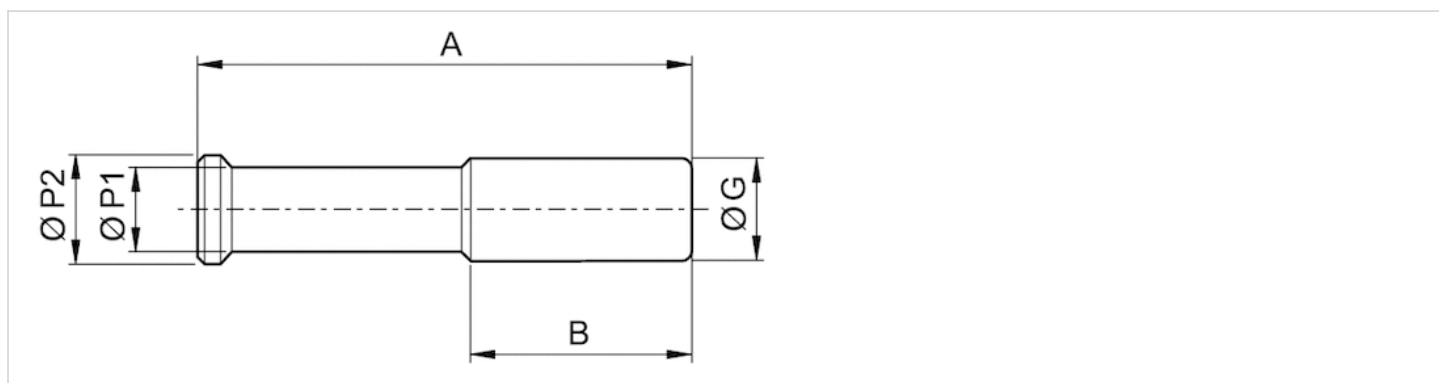
For further information about assembling and tolerances of adaptable tubing can be found in the "Technical information" document (available in the MediaCentre).

Technical information

Material	
Material	nickel-plated
Housing	Polybutyleneterephthalate

Dimensions

Dimensions



Dimensions

Part No.	Port G	A	B	Ø P1	Ø P2
2123204000	Ø 4	28	16	3	4
2123206000	Ø 6	32	17	4	6
2123208000	Ø 8	39	21,5	5	9
2123210000	Ø 10	42	21	8	10
2123212000	Ø 12	44	30	8	12
2123214000	Ø 14	45	24.6	8	14
R412005331	Ø16	46	24.8	10	16

QR1-S-RDS standard series

- Connection piece
- pin bushing
- Ø 4 Ø 6 Ø 8 Ø 10 Ø 12
- pin bushing
- Ø 4 Ø 6 Ø 8 Ø 10 Ø 12
- QR1-S-RDS



Working pressure min./max.	-0.95 ... 10 bar
Ambient temperature min./max.	0 ... 60 °C
Weight per piece	See table below

Technical data

Part No.	Port G	Port D	Delivery unit	Weight per piece
2123104000	Ø 4	Ø 4	10 piece	0.001 kg
2123106000	Ø 6	Ø 6	10 piece	0.001 kg
2123108000	Ø 8	Ø 8	10 piece	0.002 kg
2123110000	Ø 10	Ø 10	10 piece	0.003 kg
2123112000	Ø 12	Ø 12	10 piece	0.004 kg

Technical information

The series QR1 (plastic) and QR2 (metal) can not be combined

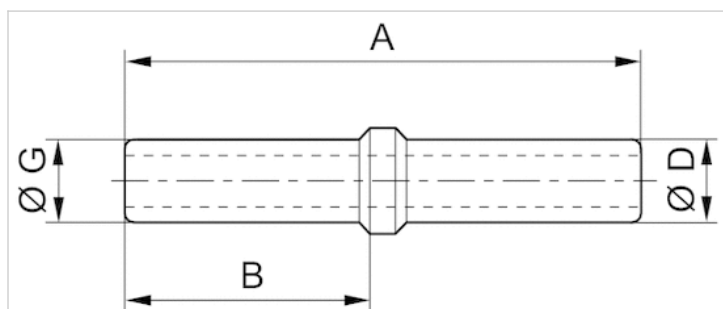
For further information about assembling and tolerances of adaptable tubing can be found in the "Technical information" document (available in the MediaCentre).

Technical information

Material	
Material	nickel-plated
Housing	Polybutyleneterephthalate

Dimensions

Dimensions



Dimensions

Part No.	Port D	Port G	A	B
2123104000	Ø 4	Ø 4	37,5	17,8
2123106000	Ø 6	Ø 6	39,7	18,7
2123108000	Ø 8	Ø 8	43,4	20,7
2123110000	Ø 10	Ø 10	47,2	22,6
2123112000	Ø 12	Ø 12	53	25,5

QR1-S-RDR standard series

- Connection pieces, reducing
- pin bushing
- Ø 6 Ø 8 Ø 10 Ø 12
- pin bushing
- Ø 4 Ø 6 Ø 8 Ø 10
- QR1-S-RDR



Working pressure min./max.	-0.95 ... 10 bar
Ambient temperature min./max.	0 ... 60 °C
Weight per piece	See table below

Technical data

Part No.	Port G	Port D	Delivery unit	Weight per piece
R412005323	Ø 6	Ø 4	10 piece	0.001 kg
R412005324	Ø 8	Ø 4	10 piece	0.001 kg
R412005325	Ø 8	Ø 6	10 piece	0.002 kg
R412005326	Ø 10	Ø 6	10 piece	0.002 kg
R412005327	Ø 10	Ø 8	10 piece	0.003 kg
R412005328	Ø 12	Ø 8	10 piece	0.003 kg
R412005329	Ø 12	Ø 10	10 piece	0.005 kg

Technical information

The series QR1 (plastic) and QR2 (metal) can not be combined

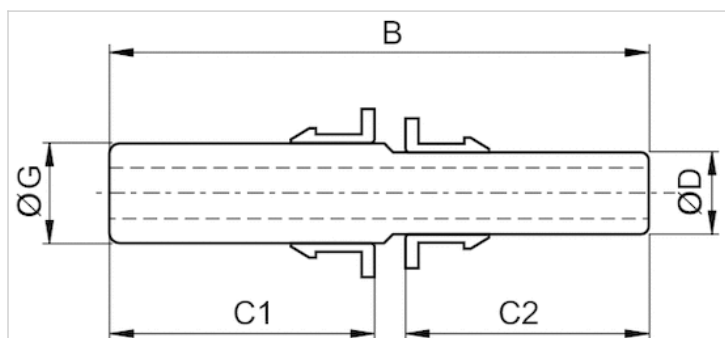
For further information about assembling and tolerances of adaptable tubing can be found in the "Technical information" document (available in the MediaCentre).

Technical information

Material	
Material	nickel-plated
Housing	Polybutyleneterephthalate

Dimensions

Dimensions



Dimensions

Part No.	Port D	Port G	B	C1	C2
R412005323	Ø 4	Ø 6	36	17	16
R412005324	Ø 4	Ø 8	38	18.9	18
R412005325	Ø 6	Ø 8	39	18.5	17
R412005326	Ø 6	Ø 10	42	21.9	19
R412005327	Ø 8	Ø 10	43	21	18.5
R412005328	Ø 8	Ø 12	45	23.9	20
R412005329	Ø 10	Ø 12	48	22.5	21

Efficient pneumatic solutions, our program: cylinders and drives, valves and valve systems, air supply management



Visit us: [Emerson.com/Aventics](https://www.emerson.com/Aventics)

Your local contact: [Emerson.com/contactus](https://www.emerson.com/contactus)



[Emerson.com](https://www.emerson.com)



[Facebook.com/EmersonAutomationSolutions](https://www.facebook.com/EmersonAutomationSolutions)



[LinkedIn.com/company/Emerson-Automation-Solutions](https://www.linkedin.com/company/Emerson-Automation-Solutions)



[Twitter.com/EMR_Automation](https://twitter.com/EMR_Automation)

An example configuration is depicted on the title page. The delivered product may thus vary from that in the illustration. Subject to change. This Document, as well as the data, specifications and other information set forth in it, are the exclusive property of AVENTICS GmbH. It may not be reproduced or given to third parties without its consent. Only use the AVENTICS products shown in industrial applications. Read the product documentation completely and carefully before using the product. Observe the applicable regulations and laws of the respective country. When integrating the product into applications, note the system manufacturer's specifications for safe use of the product. The data specified only serve to describe the product. No statements concerning a certain condition or suitability for a certain application can be derived from our information. The information given does not release the user from the obligation of own judgment and verification. It must be remembered that the products are subject to a natural process of wear and aging.

The Emerson logo is a trademark and service mark of Emerson Electric Co. Brand logotype are registered trademarks of one of the Emerson family of companies. All other marks are the property of their respective owners. © 2017 Emerson Electric Co. All rights reserved.
2019-03



CONSIDER IT SOLVED™